

Bronze & Iron Gate, Globe & Check Valve Index

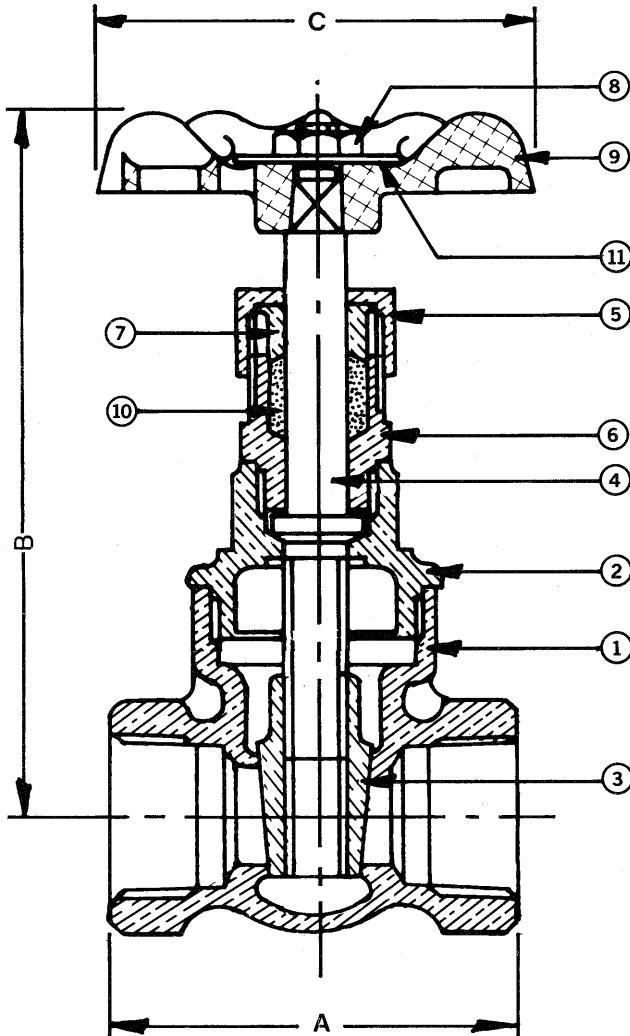
Model	Spec	Page
118-FP		15
IB412	MSS SP-80	30
IB413T	MSS SP-80	25
IB413TP2	MSS SP-80	26
IB415	MSS SP-80	29
IB418	MSS SP-80	24
IB423	MSS SP-80	27
IB434	MSS SP-80	28
IB440	MSS SP-80	22
IB440P2`	MSS SP-80	23
IB444	MSS SP-80	31
IB454T	MSS SP-80	33
IB463	MSS SP-80	32
IB610		16
IB617	MSS SP-80	5
IB617P2	MSS SP-80	6
IB629	MSS SP-80	13
IB635	MSS SP-80	8
IB638	MSS SP-80	10
IB638P2	MSS SP-80	11
IB640	MSS SP-80	3
IB640P2	MSS SP-80	4
IB641	MSS SP-80	12
IB646	MSS SP-80	9
IB645	MSS SP-80	1
IB645P2	MSS SP-80	2
IB647	MSS SP-80	7
IB648	MSS SP-80	14
IB650	MSS SP-80	17
IB651	MSS SP-80	18
IB652	MSS SP-80	19
IB654	MSS SP-80	20
IB656	MSS SP-80	21
509Y	MSS SP-80	37
509YP2	MSS SP-80	38
515Y	MSS SP-80	45
IB904/IB940	MSS SP-80	35
IB904/IB940P2	MSS SP-80	36

Model	Spec	Page
IB912	MSS SP-80	39
IB944	MSS SP-80	46
IB945	MSS SP-80	44
IB946	MSS SP-80	43
IB949	MSS SP-80	47
943		40
943P2		41
947		42
969		34
IR1124	MSS SP-71	61
IR1124-HI 2" - 12"	MSS SP-71	62
IR1124-HI 14" - 24"	MSS SP-71	63
IR1124-LW	MSS SP-71	67
IR1124-UL		66
IR1126-HI 2" - 12"	MSS SP-71	64
IR1126-HI 14" - 24"	MSS SP-71	65
IR1138	MSS SP-70	48
IR1138-HI	MSS SP-70	49
IR1140	MSS SP-70	51
IR1140-HI 2" - 12"	MSS SP-70	52
IR1140-HI 14" - 24"	MSS SP-70	53
IR1140-UL		55
IR1144-HI	MSS SP-70	50
IR1146-HI	MSS SP-70	54
IR116	MSS SP-85	58
IR116-HI	MSS SP-85	59
IR1913-HI	MSS-SP-70	69
IR1937-HI	MSS-SP-71	70
IR313	MSS SP-85	60
IR322	MSS-SP-71	69
IR330	MSS-SP-70	56
IR330-HI	MSS-SP-70	57
IR337-HI		71
IR9253	MSS-SP-125	72
IR9354	MSS-SP-125	73

The information presented on this sheet is correct at the time of publication. Hammond Valve reserves the right to change design, and/or material specifications without notice. For the Installation, Operation and Maintenance Manual (IOM) see the Technical/Service Information section on our website. For the most current information access www.hammondvalve.com
Hammond Valve is a registered trade mark of Milwaukee Valve Company.

IB645 1/4"-4"

Bronze Gate Valve
125 SWP-200 WOG †
Non-Rising Stem 1/4" - 3" • Rising Stem 4"
Solid Wedge Disc
Threaded Bonnet • Threaded Ends
Conforms to: MSS SP-80*



Note: Not intended for use in potable water.

MATERIAL LIST			
No.	PART	MATERIAL	SPECIFICATION
1	Body	Bronze	ASTM B62
2	Bonnet	Bronze	ASTM B62
3	Wedge	Bronze	ASTM B62
4	Stem	Bronze	ASTM B62
5	Packing Nut	Brass	ASTM B283 C37700
6	Stuffing Box	Brass	ASTM B283 C37700
7 ¹	Gland	Brass	ASTM B283 C37700
8	Handwheel Nut	Brass	Commercial
9	Handwheel	Mall. Iron	Commercial
10	Packing	Graphite	Commercial
11	Name Plate	Sh. Alum	Commercial

¹ Not used on 1/2" and smaller

DIMENSIONS - INCHES/MILLIMETERS					
Units	Size	A	B	C	C _v
Inches mm	1/4	1.75 45	3.63 92	2.00 51	5.6
Inches mm	3/8	1.81 46	3.63 92	2.00 51	10.7
Inches mm	1/2	2.00 51	3.63 92	2.00 51	17.6
Inches mm	3/4	2.13 54	4.38 111	2.50 64	32.0
Inches mm	1	2.56 65	5.00 127	2.75 70	54.0
Inches mm	1 1/4	2.78 71	5.31 135	3.13 79	97.0
Inches mm	1 1/2	2.81 72	6.34 161	3.50 89	135.0
Inches mm	2	3.31 84	7.44 189	3.75 95	230.0
Inches mm	2 1/2	4.19 106	9.13 232	4.75 121	337.0
Inches mm	3	4.63 118	10.47 266	5.25 133	536.0
Inches mm	4	5.50 140	15.50 394	5.25 133	960.0

† Non-Shock

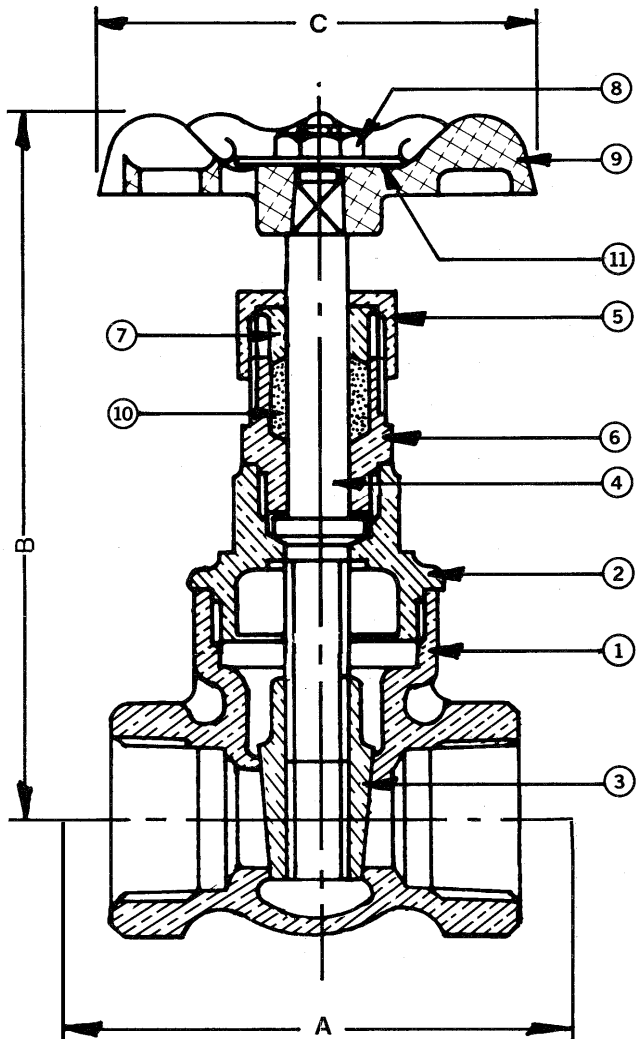
* 4" is not covered in MSS SP-80

The information presented on this sheet is correct at the time of publication. Hammond Valve reserves the right to change design, and/or material specifications without notice. For the Installation, Operation and Maintenance Manual (IOM) see the Technical/Service Information section on our website. For the most current information access www.hammondvalve.com Hammond Valve is a registered trade mark of Milwaukee Valve Company.

IB645 P2 1/2"-2"

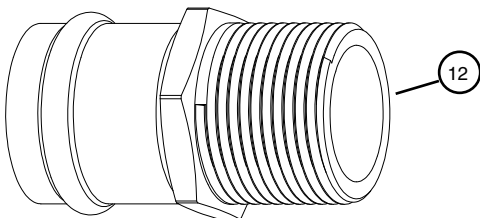
ULTRAPRESS

Bronze Gate Valve
200 psig @ 250°F †
Solid Wedge Disc • Non-Rising Stem
Threaded Bonnet • Press Ends
Conforms to: MSS SP-80



With Press Ends

Note: Not intended for use in potable water.



Press End Adapter (4151 Series)

MATERIAL LIST			
No.	PART	MATERIAL	SPECIFICATION
1	Body	Bronze	ASTM B62
2	Bonnet	Bronze	ASTM B62
3	Wedge	Bronze	ASTM B62
4	Stem	Bronze	ASTM B62
5	Packing Nut	Brass	ASTM B283 C37700
6	Stuffing Box	Brass	ASTM B283 C37700
7 ¹	Gland	Brass	ASTM B283 C37700
8	Handwheel Nut	Brass	Commercial
9	Handwheel	Mall. Iron	Commercial
10	Packing	Graphite	Commercial
11	Name Plate	Sh. Alum	Commercial
12	Press Adapters	Brass Fitting W/ EPDM O-Ring	ASTM C27450

¹ Not used on 1/2" and smaller

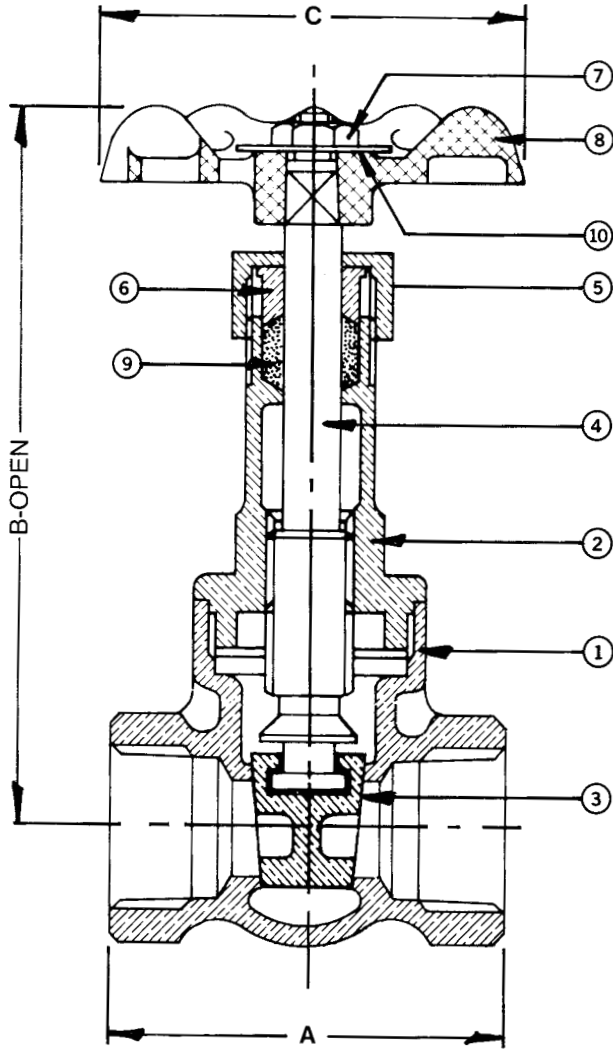
DIMENSIONS - INCHES/MILLIMETERS						
Units	Size	STD Insertion Depth	A	B	C	C _v
Inches mm	1/2	0.87 22	5.00 127	3.63 92	2.00 51	17.6
Inches mm	3/4	0.98 25	5.71 145	4.38 111	2.50 64	32.0
Inches mm	1	0.98 25	6.56 167	5.00 127	2.75 70	54.0
Inches mm	1 1/4	1.02 26	6.85 174	5.31 135	3.13 79	97.0
Inches mm	1 1/2	1.42 36	7.29 185	6.34 161	3.50 89	135.0
Inches mm	2	1.58 40	9.31 237	7.44 189	3.75 95	230.0

† Non-Shock

The information presented on this sheet is correct at the time of publication. Hammond Valve reserves the right to change design, and/or material specifications without notice. For the Installation, Operation and Maintenance Manual (IOM) see the Technical/Service Information section on our website. For the most current information access www.hammondvalve.com Hammond Valve is a registered trade mark of Milwaukee Valve Company.

IB640 1/4"-4"

Bronze Gate Valve
125 SWP - 200 WOG †
Solid Wedge Disc • Rising Stem
Threaded Bonnet • Threaded Ends
Conforms to: MSS SP-80*



Note: Not intended for use in potable water.

MATERIAL LIST			
No.	PART	MATERIAL	SPECIFICATION
1	Body	Bronze	ASTM B62
2	Bonnet	Bronze	ASTM B62
3	Wedge	Bronze	ASTM B62
4	Stem	Bronze	ASTM B62
5	Packing Nut	Brass	ASTM B283 C37700
6 ¹	Gland	Brass	ASTM B124 C37700
7	Handwheel Nut	Brass	Commercial
8	Handwheel	Mall. Iron	Commercial
9	Packing	Graphite	Commercial
10	Name Plate	Sh. Alum	Commercial

¹ Not used on 1/2" and smaller

DIMENSIONS - INCHES/MILLIMETERS					
Units	Size	A	B	C	C _v
Inches mm	1/4	1.75 45	4.38 111	2.00 51	5.6
Inches mm	3/8	1.81 46	4.38 111	2.00 51	10.7
Inches mm	1/2	2.00 51	4.38 111	2.00 51	17.6
Inches mm	3/4	2.13 54	5.84 148	2.50 64	32.0
Inches mm	1	2.56 65	7.06 179	2.75 70	54.0
Inches mm	1 1/4	2.78 71	8.78 223	3.13 79	97.0
Inches mm	1 1/2	2.81 72	9.50 241	3.50 89	135.0
Inches mm	2	3.31 84	11.50 292	3.75 95	230.0
Inches mm	2 1/2	4.19 106	14.31 364	4.75 121	337.0
Inches mm	3	4.63 118	16.63 422	5.25 133	536.0
Inches mm	4	5.50 140	15.50 394	5.25 133	960.0

† Non-Shock

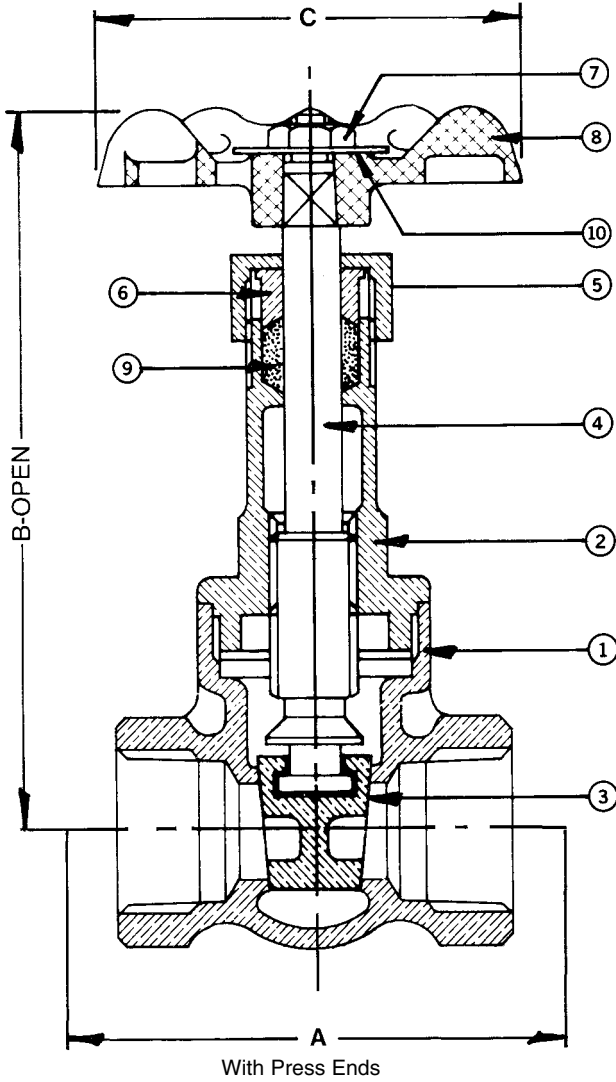
* 4" is not covered in MSS SP-80

The information presented on this sheet is correct at the time of publication. Hammond Valve reserves the right to change design, and/or material specifications without notice. For the Installation, Operation and Maintenance Manual (IOM) see the Technical/Service Information section on our website. For the most current information access www.hammondvalve.com Hammond Valve is a registered trade mark of Milwaukee Valve Company.

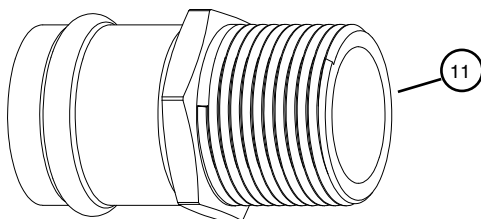
IB640 P2 1/2"-2"

ULTRAPRESS

Bronze Gate Valve
200 psig @ 250°F †
Solid Wedge Disc • Rising Stem
Threaded Bonnet • Press Ends
Conforms to: MSS SP-80



Note: Not intended for use in potable water.



Press End Adapter (4151 Series)

MATERIAL LIST			
No.	PART	MATERIAL	SPECIFICATION
1	Body	Bronze	ASTM B62
2	Bonnet	Bronze	ASTM B62
3	Wedge	Bronze	ASTM B62
4	Stem	Bronze	ASTM B62
5	Packing Nut	Brass	ASTM B283 C37700
6 ¹	Gland	Brass	ASTM B124 C37700
7	Handwheel Nut	Brass	Commercial
8	Handwheel	Mall. Iron	Commercial
9	Packing	Graphite	Commercial
10	Name Plate	Sh. Alum	Commercial
11	Press Adapter	Brass Fitting W/ EPDM O-Ring	ASTM C27450

¹ Not used on 1/2" and smaller

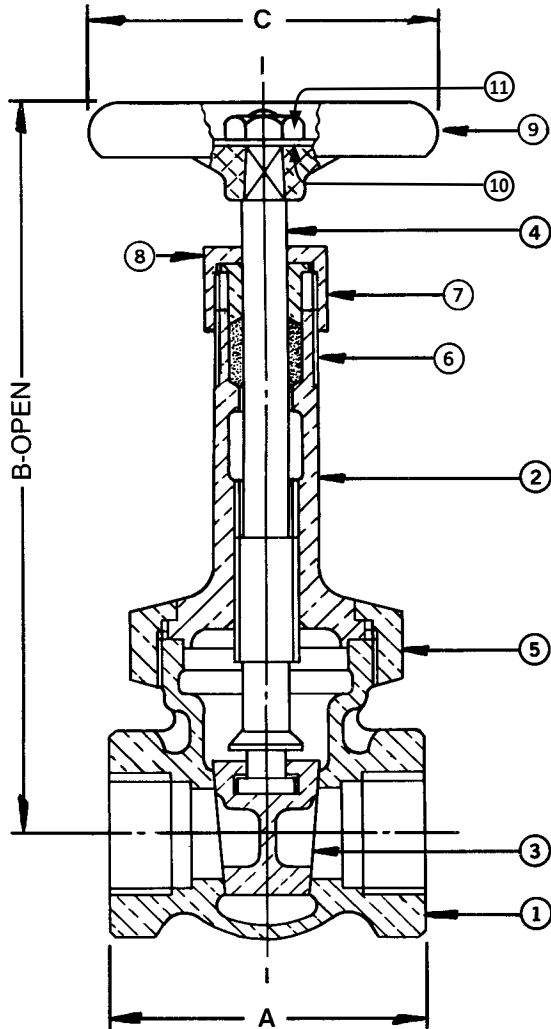
DIMENSIONS - INCHES/MILLIMETERS						
Units	Size	STD Insertion Depth	A	B	C	C _v
Inches mm	1/2	0.87 22	5.00 127	4.38 111	2.00 51	17.6
Inches mm	3/4	0.98 166	5.71 145	5.84 148	2.50 64	32.0
Inches mm	1	0.98 166	6.56 167	7.06 179	2.75 70	54.0
Inches mm	1 1/4	1.02 26	6.85 174	8.78 223	3.13 79	97.0
Inches mm	1 1/2	1.42 36	7.29 185	9.50 241	3.50 89	135.0
Inches mm	2	1.58 40	9.31 236	11.50 292	3.75 95	230.0

† Non-Shock

The information presented on this sheet is correct at the time of publication. Hammond Valve reserves the right to change design, and/or material specifications without notice. For the Installation, Operation and Maintenance Manual (IOM) see the Technical/Service Information section on our website. For the most current information access www.hammondvalve.com Hammond Valve is a registered trade mark of Milwaukee Valve Company.

IB617 1/4"-3"

**Bronze Gate Valve
125 SWP - 200 WOG †
Solid Wedge Disc • Rising Stem
Union Bonnet • Threaded Ends
Conforms to: MSS SP-80**



Note: Not intended for use in potable water.

MATERIAL LIST			
No.	PART	MATERIAL	SPECIFICATION
1	Body	Bronze	ASTM B62
2	Bonnet	Bronze	ASTM B62
3	Wedge Disc	Bronze	ASTM B62
4	Stem	Bronze	ASTM B62
5	Union Bonnet Nut	Bronze	ASTM B62
6	Packing	Graphite	Commercial
7	Gland	Brass	ASTM B124 C37700
8	Packing Nut	Brass	ASTM B283 C37700
9	Handwheel	Mall. Iron	Commercial
10	Name Plate	Aluminum	Commercial
11	Handwheel Nut	Brass	ASTM B 16

DIMENSIONS - INCHES/MILLIMETERS					
Units	Size	A	B	C	C _v
Inches mm	1/4	1.75 45	5.13 130	2.00 51	5.6
Inches mm	3/8	1.88 48	5.13 130	2.00 51	10.7
Inches mm	1/2	2.13 54	5.50 140	2.50 64	17.6
Inches mm	3/4	2.25 57	6.25 159	2.75 70	32.0
Inches mm	1	2.56 65	7.19 183	2.75 70	54.0
Inches mm	1 1/4	2.75 70	8.56 218	3.13 79	97.0
Inches mm	1 1/2	3.25 83	9.63 245	3.50 89	135.0
Inches mm	2	3.63 92	11.75 299	4.00 102	230.0
Inches mm	2 1/2	4.50 114	14.50 368	4.75 121	337.0
Inches mm	3	4.88 124	16.75 426	5.25 133	536.0

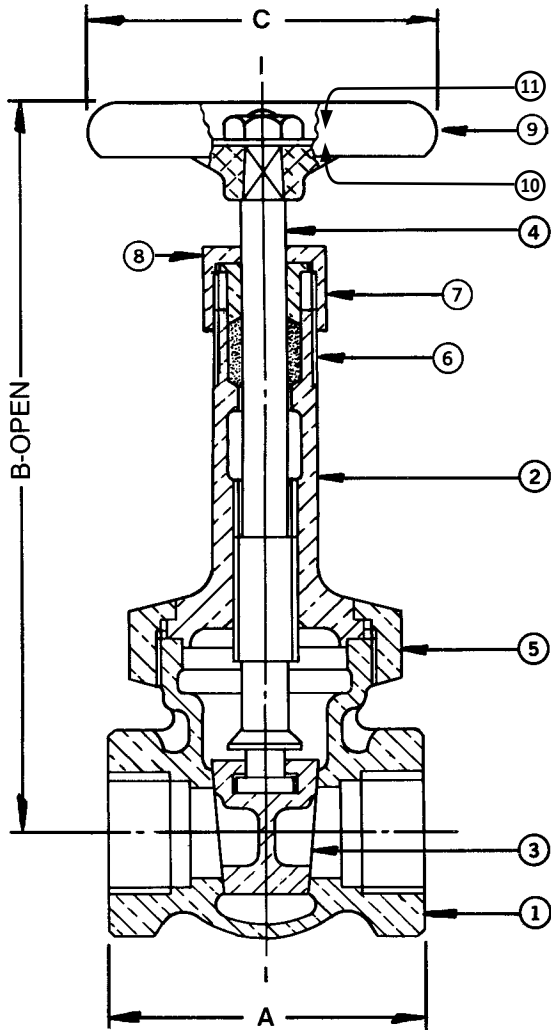
† Non-Shock

The information presented on this sheet is correct at the time of publication. Hammond Valve reserves the right to change design, and/or material specifications without notice. For the Installation, Operation and Maintenance Manual (IOM) see the Technical/Service Information section on our website. For the most current information access www.hammondvalve.com Hammond Valve is a registered trade mark of Milwaukee Valve Company.

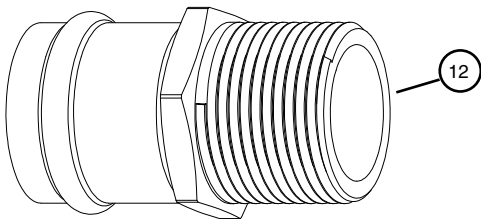
IB617 P2 1/2"-2"

ULTRAPRESS

Bronze Gate Valve
200 psig @ 250°F †
Solid Wedge Disc • Rising Stem
Union Bonnet • Press Ends
Conforms to: MSS SP-80



Note: Not intended for use in potable water.



Press End Adapter (4151 Series)

MATERIAL LIST			
No.	PART	MATERIAL	SPECIFICATION
1	Body	Bronze	ASTM B62
2	Bonnet	Bronze	ASTM B62
3	Wedge Disc	Bronze	ASTM B62
4	Stem	Bronze	ASTM B62
5	Union Bonnet Nut	Bronze	ASTM B62
6	Packing	Graphite	Commercial
7	Gland	Brass	ASTM B124 C37700
8	Packing Nut	Brass	ASTM B283 C37700
9	Handwheel	Mall. Iron	Commercial
10	Name Plate	Aluminum	Commercial
11	Handwheel Nut	Brass	ASTM B 16
12	Press Adapter	Brass Fitting W/ EPDM O-Ring	ASTM C27450

DIMENSIONS - INCHES/MILLIMETERS						
Units	Size	STD Insertion Depth	A	B	C	C _v
Inches mm	1/2	0.87 22	5.13 130	5.50 140	2.50 64	17.6
Inches mm	3/4	0.98 166	5.83 148	6.25 159	2.75 70	32.0
Inches mm	1	0.98 166	6.56 167	7.19 183	2.75 70	54.0
Inches mm	1 1/4	1.02 26	6.82 173	8.56 216	3.13 79	97.0
Inches mm	1 1/2	1.42 36	7.73 196	9.63 245	3.50 89	135.0
Inches mm	2	1.58 40	9.63 245	11.75 299	4.00 102	230.0

† Non-Shock

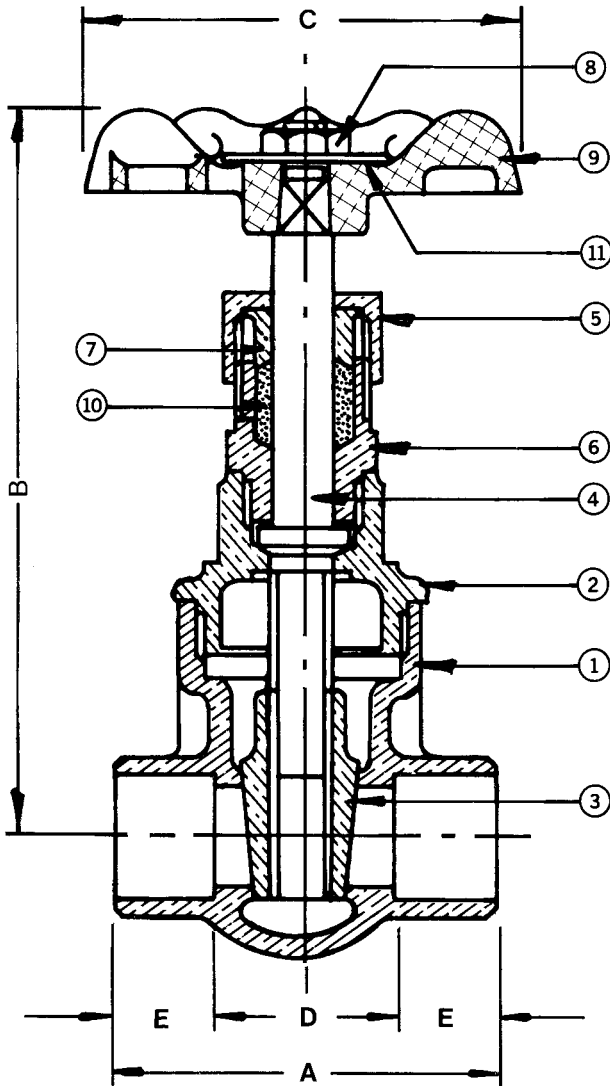
The information presented on this sheet is correct at the time of publication. Hammond Valve reserves the right to change design, and/or material specifications without notice. For the Installation, Operation and Maintenance Manual (IOM) see the Technical/Service Information section on our website. For the most current information access www.hammondvalve.com Hammond Valve is a registered trade mark of Milwaukee Valve Company.

IB647 3/8"-4"

Bronze Gate Valve
125 SWP - 200 WOG †
Non-Rising Stem 3/8" - 3" • Rising Stem 4"
Solid Wedge Disc
Threaded Bonnet • Solder Ends
Conforms to: MSS SP-80*

MATERIAL LIST			
No.	PART	MATERIAL	SPECIFICATION
1	Body	Bronze	ASTM B62
2	Bonnet	Bronze	ASTM B62
3	Wedge	Bronze	ASTM B62
4	Stem	Bronze	ASTM B62
5	Packing Nut	Brass	ASTM B283 C37700
6	Stuffing Box	Brass	ASTM B283 C37700
7 ¹	Gland	Brass	ASTM B124 C37700
8	Handwheel Nut	Brass	ASTM B16
9	Handwheel	Mall. Iron	Commercial
10	Packing	Graphite	Commercial
11	Name Plate	Sh. Alum	Commercial

¹ Not used on 1/2" and smaller



Note: Not intended for use in potable water.

DIMENSIONS - INCHES/MILLIMETERS							
Units	Size	A	B	C	D	E	C _v
Inches mm	3/8	1.63 41	3.56 91	2.00 51	0.88 22	0.38 10	5.6
Inches mm	1/2	1.88 48	3.56 91	2.00 51	0.88 22	0.50 13	10.7
Inches mm	3/4	2.50 64	4.75 121	2.50 64	1.00 25	0.75 19	17.6
Inches mm	1	3.00 76	5.00 127	2.75 70	1.19 30	0.91 23	32.0
Inches mm	1 1/4	3.25 83	5.88 149	3.13 79	1.31 33	0.97 25	54.0
Inches mm	1 1/2	3.63 92	6.50 165	3.50 89	1.44 37	1.09 28	97.0
Inches mm	2	4.31 110	7.44 189	3.75 95	1.63 41	1.34 34	135.0
Inches mm	2 1/2	4.81 122	9.13 232	4.75 121	1.88 48	1.47 37	230.0
Inches mm	3	5.44 138	10.38 264	5.25 133	2.13 54	1.66 42	337.0
Inches mm	4	7.25 184	15.50 394	5.25 133	2.16 55	2.94 75	536.0

† Non-Shock

* 4" is not covered in MSS SP-80. It has a split wedge and bolted bonnet.

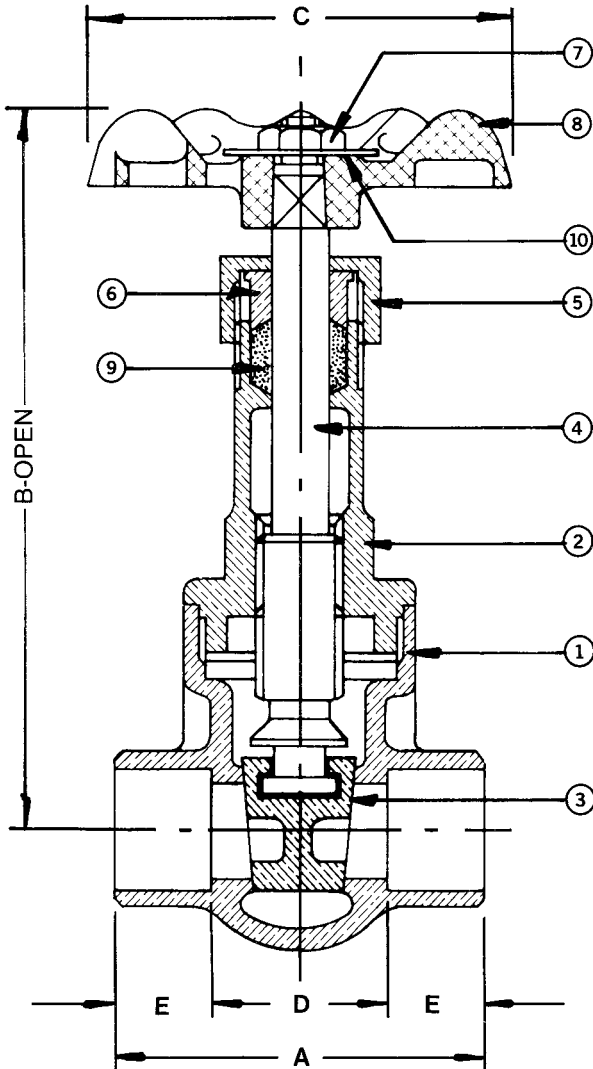
The information presented on this sheet is correct at the time of publication. Hammond Valve reserves the right to change design, and/or material specifications without notice. For the Installation, Operation and Maintenance Manual (IOM) see the Technical/Service Information section on our website. For the most current information access www.hammondvalve.com Hammond Valve is a registered trade mark of Milwaukee Valve Company.

IB635 3/8"-4"

Bronze Gate Valve
125 SWP - 200 WOG †
Solid Wedge Disc • Rising Stem
Threaded Bonnet • Solder Ends
Conforms to: MSS SP-80*

MATERIAL LIST			
No.	PART	MATERIAL	SPECIFICATION
1	Body	Bronze	ASTM B62
2	Bonnet	Bronze	ASTM B62
3	Wedge	Bronze	ASTM B62
4	Stem	Bronze	ASTM B62
5	Packing Nut	Brass	ASTM B283 C37700
6 ¹	Gland	Brass	ASTM B124 C37700
7	Handwheel Nut	Brass	Commercial
8	Handwheel	Mall. Iron	Commercial
9	Packing	Graphite	Commercial
10	Name Plate	Sh. Alum	Commercial

¹ Not used on 1/2" and smaller



Note: Not intended for use in potable water.

DIMENSIONS - INCHES/MILLIMETERS							
Units	Size	A	B	C	D	E	C _v
Inches mm	3/8	1.63 41	4.31 110	2.00 51	0.88 22	0.38 10	5.6
Inches mm	1/2	1.88 48	4.31 110	2.00 51	0.88 22	0.50 13	10.7
Inches mm	3/4	2.50 64	6.25 159	2.50 64	1.00 25	0.75 19	17.6
Inches mm	1	3.00 76	7.00 178	2.75 70	1.19 30	0.91 23	32.0
Inches mm	1 1/4	3.25 83	8.63 219	3.13 79	1.31 33	0.97 25	54.0
Inches mm	1 1/2	3.63 92	9.50 241	3.50 89	1.44 37	1.09 28	97.0
Inches mm	2	4.31 110	11.50 292	3.75 95	1.63 41	1.34 34	135.0
Inches mm	2 1/2	4.81 122	14.31 364	4.75 121	1.88 48	1.47 37	230.0
Inches mm	3	5.44 138	16.38 416	5.25 133	2.13 54	1.66 42	337.0
Inches mm	4	7.25 184	15.50 394	5.25 133	2.16 55	2.94 75	536.0

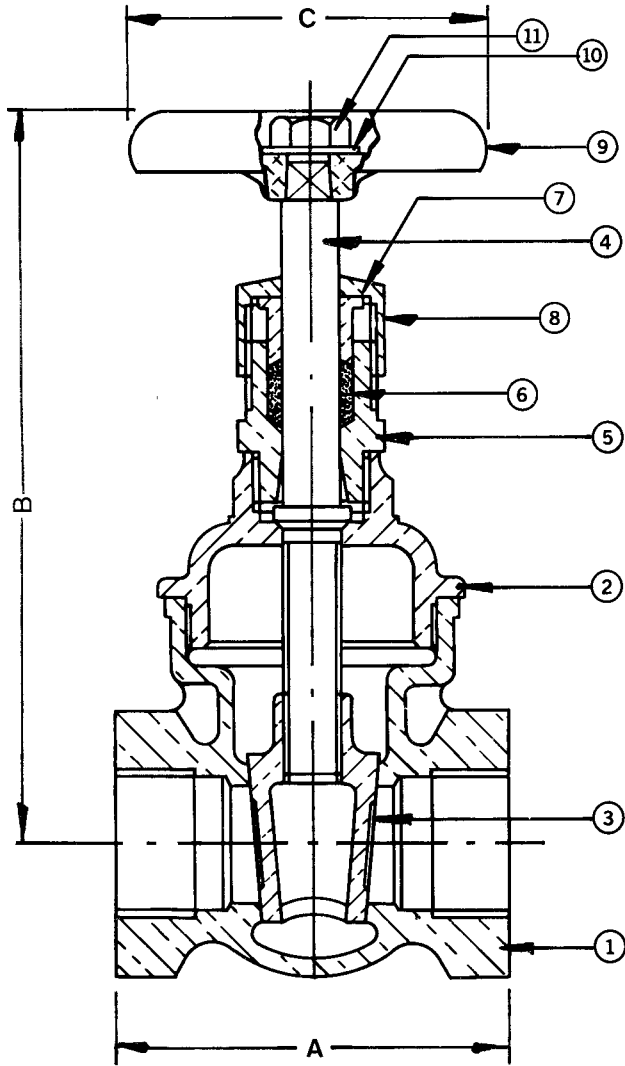
† Non-Shock

* 4" is not covered in MSS SP-80. It has a split wedge and bolted bonnet.

The information presented on this sheet is correct at the time of publication. Hammond Valve reserves the right to change design, and/or material specifications without notice. For the Installation, Operation and Maintenance Manual (IOM) see the Technical/Service Information section on our website. For the most current information access www.hammondvalve.com Hammond Valve is a registered trade mark of Milwaukee Valve Company.

IB646 1/4"-4"

Bronze Gate Valve
150 SWP - 300 WOG †
Non-Rising Stem 1/4" - 3" • Rising Stem 4"
Solid Wedge Disc
Threaded Bonnet • Threaded Ends
Conforms to: MSS SP-80*



Note: Not intended for use in potable water.

MATERIAL LIST			
No.	PART	MATERIAL	SPECIFICATION
1	Body	Bronze	ASTM B62
2	Bonnet	Bronze	ASTM B62
3	Wedge Disc	Bronze	ASTM B62
4	Stem	Bronze	ASTM B62
5	Stuffing Box	Bronze	ASTM B16
6	Packing	Graphite	Commercial
7	Gland	Brass	ASTM B124 C37700
8	Packing Nut	Brass	ASTM B283 C37700
9	Handwheel	Mall. Iron	Commercial
10	Name Plate	Aluminum	Commercial
11	Handwheel Nut	Brass	Commercial

DIMENSIONS - INCHES/MILLIMETERS					
Units	Size	A	B	C	C _v
Inches	1/4	1.75	3.63	2.00	5.6
mm		45	92	51	
Inches	3/8	1.81	3.63	2.00	10.7
mm		46	92	51	
Inches	1/2	2.00	3.63	2.00	17.6
mm		51	92	51	
Inches	3/4	2.13	4.38	2.50	32.0
mm		54	111	64	
Inches	1	2.56	5.00	2.75	54.0
mm		65	127	70	
Inches	1 1/4	2.78	5.31	3.13	97.0
mm		71	135	79	
Inches	1 1/2	2.81	6.34	3.50	135.0
mm		72	161	89	
Inches	2	3.31	7.44	3.75	230.0
mm		84	189	95	
Inches	2 1/2	4.19	9.13	4.75	337.0
mm		106	232	121	
Inches	3	4.63	10.47	5.25	536.0
mm		118	266	133	
Inches	4	5.50	15.50	5.25	960.0
mm		140	394	133	

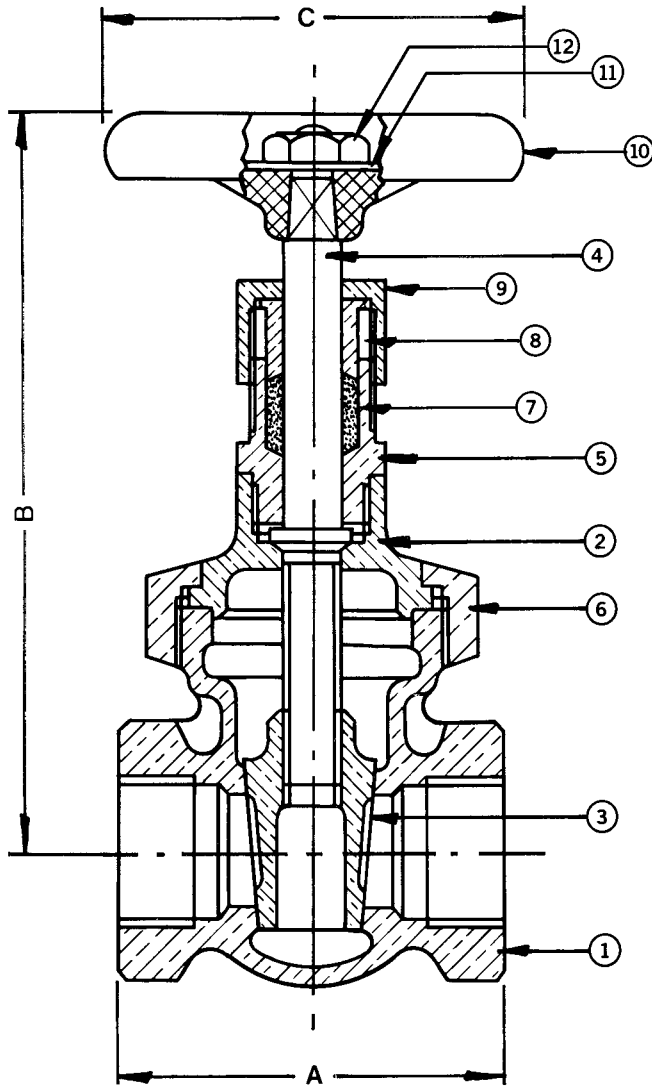
† Non-Shock

* 4" is not covered in MSS SP-80

The information presented on this sheet is correct at the time of publication. Hammond Valve reserves the right to change design, and/or material specifications without notice. For the Installation, Operation and Maintenance Manual (IOM) see the Technical/Service Information section on our website. For the most current information access www.hammondvalve.com Hammond Valve is a registered trade mark of Milwaukee Valve Company.

IB638 1/4"-2"

**Bronze Gate Valve
150 SWP - 300 WOG †
Solid Wedge Disc • Non-Rising Stem
Union Bonnet • Threaded Ends
Conforms to: MSS SP-80**



Note: Not intended for use in potable water.

MATERIAL LIST			
No.	PART	MATERIAL	SPECIFICATION
1	Body	Bronze	ASTM B62
2	Bonnet	Bronze	ASTM B62
3	Wedge Disc	Bronze	ASTM B62
4	Stem	Bronze	ASTM B62
5	Stuffing Box	Bronze	ASTM B16
6	Union Bonnet Nut	Bronze	ASTM B62
7	Packing	Graphite	Commercial
8	Gland	Brass	ASTM B124 C37700
9	Packing Nut	Brass	ASTM B283 C37700
10	Handwheel	Mall. Iron	Commercial
11	Name Plate	Aluminum	Commercial
12	Handwheel Nut	Brass	Commercial

DIMENSIONS - INCHES/MILLIMETERS					
Units	Size	A	B	C	C _v
Inches	1/4	1.75	3.69	2.00	5.6
mm		45	94	51	
Inches	3/8	1.88	3.69	2.00	10.7
mm		48	94	51	
Inches	1/2	2.13	4.31	2.50	17.6
mm		54	110	64	
Inches	3/4	2.25	4.56	2.75	32.0
mm		57	116	70	
Inches	1	2.56	5.19	2.75	54.0
mm		65	132	70	
Inches	1 1/4	3.25	5.94	3.13	97.0
mm		83	151	79	
Inches	1 1/2	3.25	6.38	3.50	135.0
mm		83	162	89	
Inches	2	3.63	7.69	4.00	230.0
mm		92	195	102	

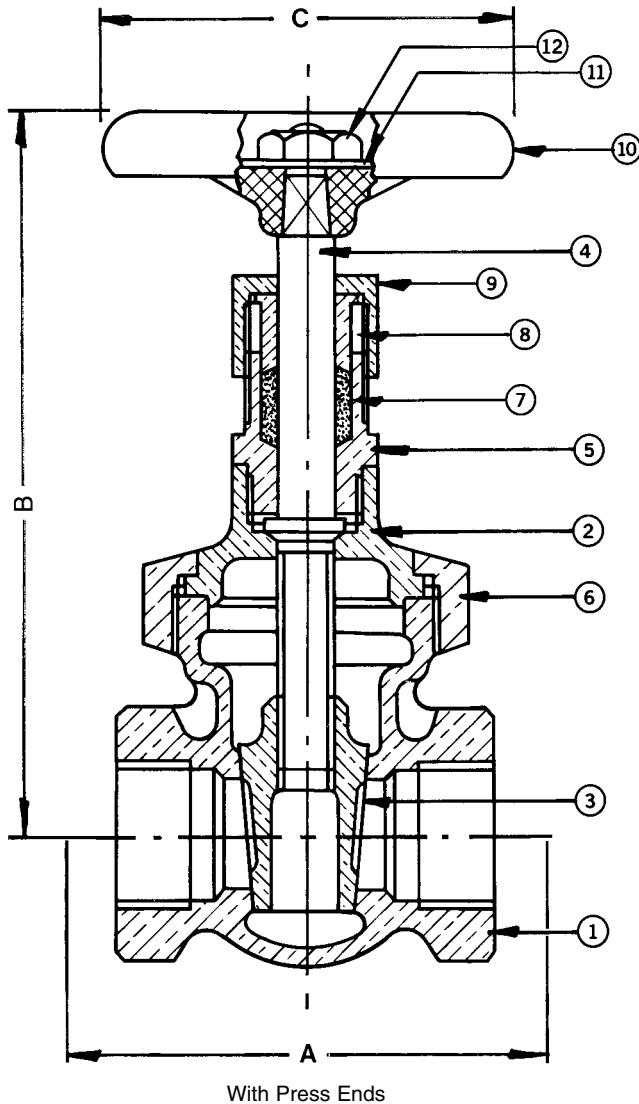
† Non-Shock

The information presented on this sheet is correct at the time of publication. Hammond Valve reserves the right to change design, and/or material specifications without notice. For the Installation, Operation and Maintenance Manual (IOM) see the Technical/Service Information section on our website. For the most current information access www.hammondvalve.com Hammond Valve is a registered trade mark of Milwaukee Valve Company.

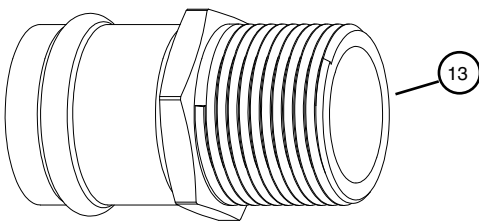
IB638 P2 1/2"-2"

ULTRAPRESS

Bronze Gate Valve
200 psig @ 250°F †
Solid Wedge Disc • Non-Rising Stem
Union Bonnet • Press Ends
Conforms to: MSS SP-80



Note: Not intended for use in potable water.



Press End Adapter (4151 Series)

MATERIAL LIST			
No.	PART	MATERIAL	SPECIFICATION
1	Body	Bronze	ASTM B62
2	Bonnet	Bronze	ASTM B62
3	Wedge Disc	Bronze	ASTM B62
4	Stem	Bronze	ASTM B62
5	Stuffing Box	Bronze	ASTM B16
6	Union Bonnet Nut	Bronze	ASTM B62
7	Packing	Graphite	Commercial
8	Gland	Brass	ASTM B124 C37700
9	Packing Nut	Brass	ASTM B283 C37700
10	Handwheel	Mall. Iron	Commercial
11	Name Plate	Aluminum	Commercial
12	Handwheel Nut	Brass	Commercial
13	Press Adapter	Brass Fitting W/ EPDM O-Ring	ASTM C27450

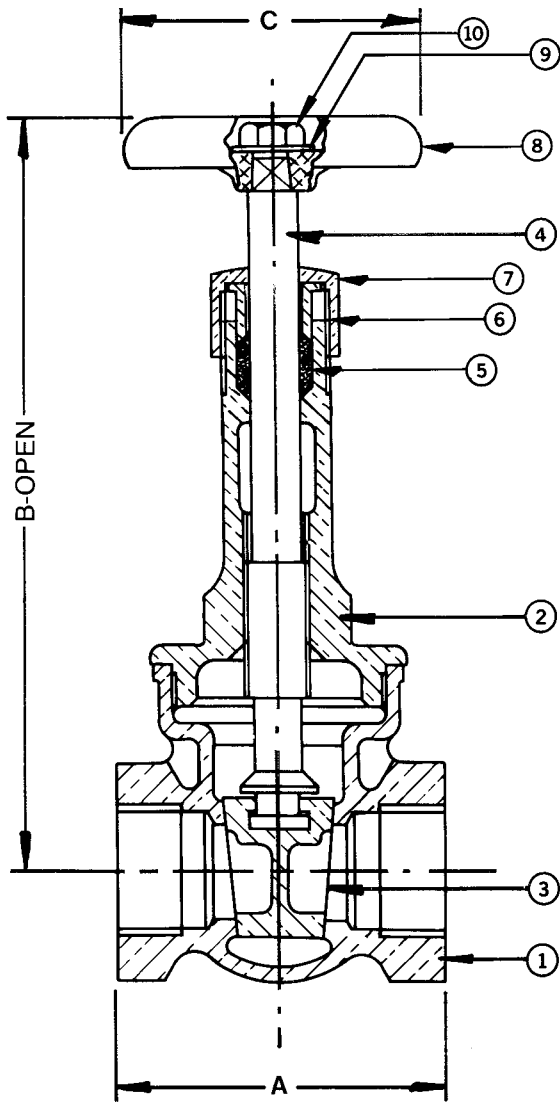
DIMENSIONS - INCHES/MILLIMETERS						
Units	Size	STD Insertion Depth	A	B	C	C _v
Inches mm	1/2	0.87 22	5.13 130	4.31 110	2.50 64	17.6
Inches mm	3/4	0.98 166	5.83 148	4.56 116	2.75 70	32.0
Inches mm	1	0.98 166	6.56 167	5.19 132	2.75 70	54.0
Inches mm	1 1/4	1.02 26	7.32 186	5.94 151	3.13 79	97.0
Inches mm	1 1/2	1.42 36	7.73 196	6.38 162	3.50 89	135.0
Inches mm	2	1.58 40	9.63 245	7.69 195	4.00 102	230.0

† Non-Shock

The information presented on this sheet is correct at the time of publication. Hammond Valve reserves the right to change design, and/or material specifications without notice. For the Installation, Operation and Maintenance Manual (IOM) see the Technical/Service Information section on our website. For the most current information access www.hammondvalve.com Hammond Valve is a registered trade mark of Milwaukee Valve Company.

IB641 1/4"-4"

**Bronze Gate Valve
150 SWP - 300 WOG †
Solid Wedge Disc • Rising Stem
Threaded Bonnet • Threaded Ends
Conforms to: MSS SP-80***



Note: Not intended for use in potable water.

MATERIAL LIST			
No.	PART	MATERIAL	SPECIFICATION
1	Body	Bronze	ASTM B62
2	Bonnet	Bronze	ASTM B62
3	Wedge Disc	Bronze	ASTM B62
4	Stem	Bronze	ASTM B62
5	Packing	Graphite	Commercial
6	Gland	Brass	ASTM B124 C37700
7	Packing Nut	Brass	ASTM B283 C37700
8	Handwheel	Mall. Iron	Commercial
9	Name Plate	Aluminum	Commercial
10	Handwheel Nut	Brass	Commercial

DIMENSIONS - INCHES/MILLIMETERS					
Units	Size	A	B	C	C _v
Inches mm	1/4	1.75 45	4.38 111	2.00 51	5.6
Inches mm	3/8	1.81 46	4.38 111	2.00 51	10.7
Inches mm	1/2	2.00 51	4.38 111	2.00 51	17.6
Inches mm	3/4	2.13 54	5.84 149	2.50 64	32.0
Inches mm	1	2.56 65	7.06 180	2.75 70	54.0
Inches mm	1 1/4	2.78 71	8.78 223	3.13 79	97.0
Inches mm	1 1/2	2.81 72	9.50 241	3.50 89	135.0
Inches mm	2	3.31 84	11.50 292	3.75 95	230.0
Inches mm	2 1/2	4.19 106	14.31 364	4.75 121	337.0
Inches mm	3	4.63 118	16.63 422	5.25 133	536.0
Inches mm	4	5.50 140	15.50 394	5.25 133	960.0

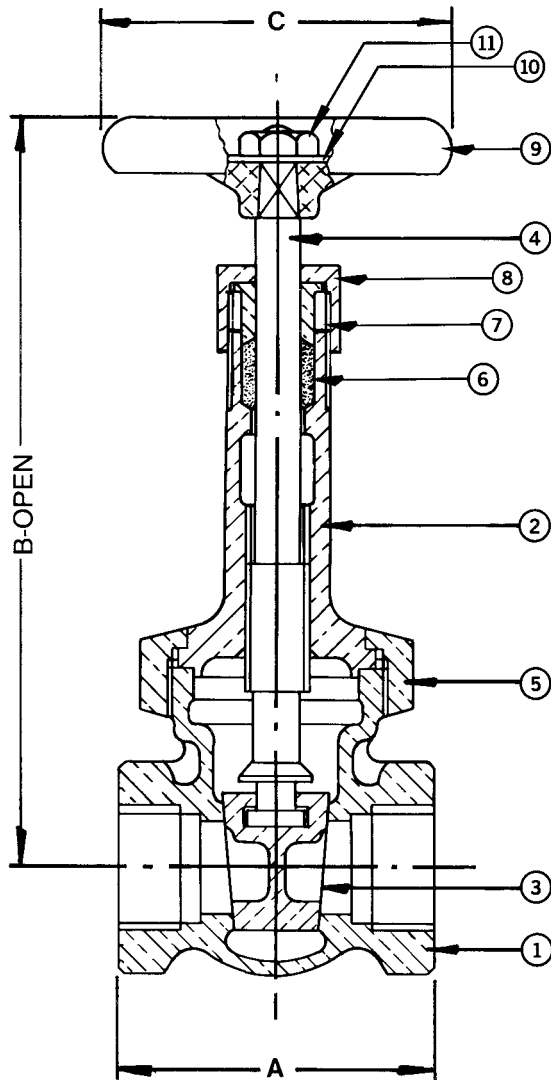
† Non-Shock

* 4" is not covered in MSS SP-80

The information presented on this sheet is correct at the time of publication. Hammond Valve reserves the right to change design, and/or material specifications without notice. For the Installation, Operation and Maintenance Manual (IOM) see the Technical/Service Information section on our website. For the most current information access www.hammondvalve.com Hammond Valve is a registered trade mark of Milwaukee Valve Company.

IB629 1/4"-3"

Bronze Gate Valve
150 SWP - 300 WOG †
Solid Wedge Disc • Rising Stem
Union Bonnet • Threaded Ends
Conforms to: MSS SP-80



Note: Not intended for use in potable water.

MATERIAL LIST			
No.	PART	MATERIAL	SPECIFICATION
1	Body	Bronze	ASTM B62
2	Bonnet	Bronze	ASTM B62
3	Wedge Disc	Bronze	ASTM B62
4	Stem	Bronze	ASTM B62
5	Union Bonnet Nut	Bronze	ASTM B62
6	Packing	Graphite	Commercial
7	Gland	Brass	ASTM B124 C37700
8	Packing Nut	Brass	ASTM B283 C37700
9	Handwheel	Mall. Iron	Commercial
10	Name Plate	Aluminum	Commercial
11	Handwheel Nut	Brass	Commercial

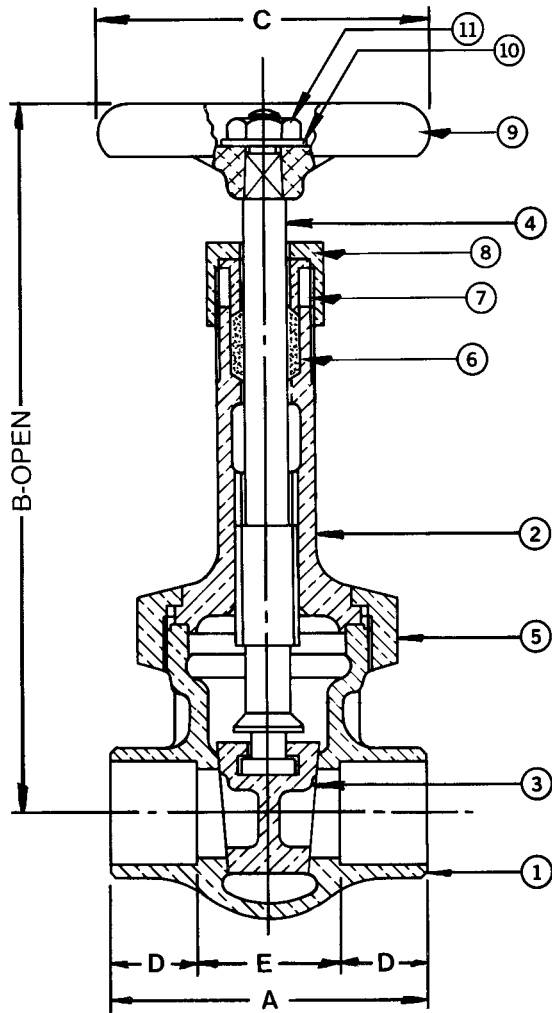
DIMENSIONS - INCHES/MILLIMETERS					
Units	Size	A	B	C	C _v
Inches mm	1/4	1.75 45	5.13 130	2.00 51	5.6
Inches mm	3/8	1.88 48	5.13 130	2.00 51	10.7
Inches mm	1/2	2.13 54	5.50 140	2.50 64	17.6
Inches mm	3/4	2.25 57	6.25 159	2.75 70	32.0
Inches mm	1	2.56 65	7.19 183	2.75 70	54.0
Inches mm	1 1/4	2.78 71	8.56 218	3.13 79	97.0
Inches mm	1 1/2	3.25 83	9.63 245	3.50 89	135.0
Inches mm	2	3.63 92	11.75 299	4.00 102	230.0
Inches mm	2 1/2	4.50 114	14.50 368	4.75 121	337.0
Inches mm	3	4.88 124	16.75 426	5.25 133	536.0

† Non-Shock

The information presented on this sheet is correct at the time of publication. Hammond Valve reserves the right to change design, and/or material specifications without notice. For the Installation, Operation and Maintenance Manual (IOM) see the Technical/Service Information section on our website. For the most current information access www.hammondvalve.com Hammond Valve is a registered trade mark of Milwaukee Valve Company.

IB648 3/8"-3"

Bronze Gate Valve
150 SWP - 300 WOG †
Solid Wedge Disc • Rising Stem
Union Bonnet • Solder Ends
Conforms to: MSS SP-80



Note: Not intended for use in potable water.

MATERIAL LIST			
No.	PART	MATERIAL	SPECIFICATION
1	Body	Bronze	ASTM B62
2	Bonnet	Bronze	ASTM B62
3	Wedge Disc	Bronze	ASTM B62
4	Stem	Bronze	ASTM B62
5	Union Bonnet Nut	Bronze	ASTM B62
6	Packing	Graphite	Commercial
7	Gland	Brass	ASTM B124 C37700
8	Packing Nut	Brass	ASTM B283 C37700
9	Handwheel	Mall. Iron	Commercial
10	Name Plate	Aluminum	Commercial
11	Handwheel Nut	Brass	Commercial

DIMENSIONS - INCHES/MILLIMETERS							
Units	Size	A	B	C	D	E	C _v
Inches mm	3/8	1.63 41	5.13 130	2.00 51	.38 10	.88 22	5.6
Inches mm	1/2	2.13 54	5.50 140	2.50 64	0.50 13	1.13 29	10.7
Inches mm	3/4	2.63 67	6.25 159	2.75 70	0.75 19	1.13 29	17.6
Inches mm	1	3.00 76	7.19 183	2.75 70	0.91 23	1.19 30	32.0
Inches mm	1 1/4	3.38 86	8.56 218	3.13 80	0.97 25	1.44 37	54.0
Inches mm	1 1/2	3.75 95	9.63 245	3.50 89	1.09 28	1.56 40	97.0
Inches mm	2	4.31 110	11.75 299	4.00 102	1.34 34	1.63 41	135.0
Inches mm	2 1/2	5.25 133	14.25 362	4.75 121	1.47 37	2.31 59	230.0
Inches mm	3	5.75 133	16.50 419	5.25 133	1.66 42	2.44 62	337.0

† Non-Shock

The information presented on this sheet is correct at the time of publication. Hammond Valve reserves the right to change design, and/or material specifications without notice. For the Installation, Operation and Maintenance Manual (IOM) see the Technical/Service Information section on our website. For the most current information access www.hammondvalve.com Hammond Valve is a registered trade mark of Milwaukee Valve Company.

118-FP 1"-2"

Bronze Gate Valve
175 WOG† • O.S. & Y

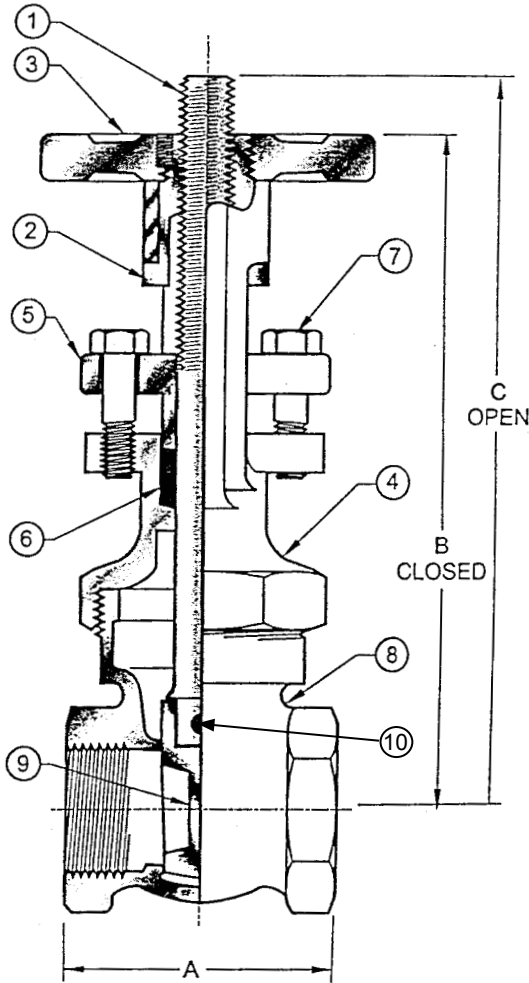
Solid Wedge Disc • Screwed Ends • Screwed Bonnet

New York City Board of Standards and Approval

Approval: U.L. Listed, F.M., N.Y. C.B.S.A. No. 1079-81-SA



MEA255-93-E



MATERIAL LIST			
No.	PART	MATERIAL	SPECIFICATION
1	Stem	Brass	CDA-360
2	Yoke Bushing	Brass	CDA-360
3	Handwheel	Ductile Iron	
4	Bonnet	Bronze	CDA-844
5	Packing Gland	Brass	CDA-844
6	Packing	Graphite	
7	Gland Follower Bolt	Plated Steel	
8	Body	Bronze	B-584
9	Wedge	Bronze	B-584
10	Roll Pin	Bronze	

DIMENSIONS - INCHES/MILLIMETERS				
Units	Size	A	B	C
Inches mm	1	2.50 64	6.50 165	8.00 203
Inches mm	1 1/4	2.75 70	7.63 194	9.50 241
Inches mm	1 1/2	2.86 152	8.00 203	10.00 254
Inches mm	2	3.13 79	9.00 229	11.25 286

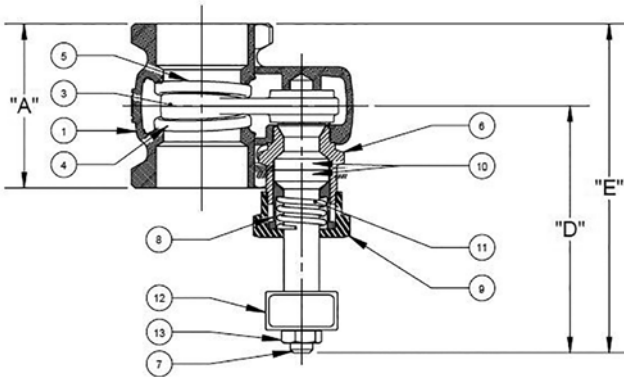
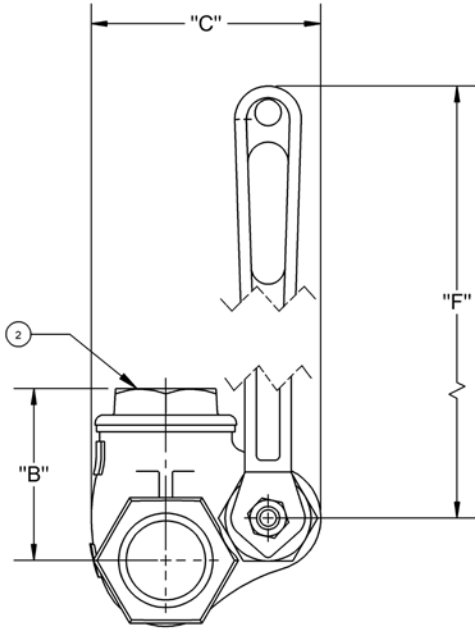
† Non-Shock

Note: Not intended for use in potable water.

The information presented on this sheet is correct at the time of publication. Hammond Valve reserves the right to change design, and/or material specifications without notice. For the Installation, Operation and Maintenance Manual (IOM) see the Technical/Service Information section on our website. For the most current information access www.hammondvalve.com Hammond Valve is a registered trade mark of Milwaukee Valve Company.

IB610 1/2"-4"

Bronze Gate Valve
150 SWP - 300 WOG †
Quick Opening
Lever Operated • Double Disc • Threaded Ends



Note: Not intended for use in potable water.

MATERIAL LIST			
No.	PART	MATERIAL	SPECIFICATION
1	Body	Bronze	ASTM B62
2	Cap	Bronze	ASTM B62
3	Lever	Bronze	ASTM B62
4	Male Disc	Brass	ASTM B16
5	Female Disc	Brass	ASTM B16
6	Bonnet	Bronze	ASTM B62
7	Stem	Brass	ASTM B16
8	Gland	Brass	ASTM B16
9	Packing Nut	Bronze	ASTM B62
10	Packing	Graphite	
11	Gland Spring	Steel	
12	Handle Lever	Mall. Iron	
13	Handle Nut	Steel	

DIMENSIONS - INCHES/MILLIMETERS							
Units	Size	A	B	C	D	E	F
Inches	1/2	2.00	1.38	2.44	2.78	3.78	4.69
mm		51	35	62	71	96	119
Inches	3/4	2.25	1.69	2.94	3.21	4.33	4.69
mm		57	43	75	82	110	119
Inches	1	2.50	2.38	3.37	4.31	5.56	7.00
mm		64	60	86	109	141	178
Inches	1 1/4	2.88	2.81	3.84	4.44	5.88	8.19
mm		73	71	98	113	149	208
Inches	1 1/2	3.18	3.25	4.34	4.79	6.38	10.50
mm		81	83	110	122	162	270
Inches	2	3.75	4.12	5.31	5.41	7.28	10.50
mm		95	105	135	137	185	267
Inches	2 1/2	4.25	4.50	5.94	5.47	7.59	11.51
mm		108	114	151	139	193	292
Inches	3	4.75	5.63	7.02	5.59	7.97	11.50
mm		121	143	178	142	202	292
Inches	4	6.00	7.87	7.50	5.56	8.56	14.00
mm		152	200	191	141	217	356

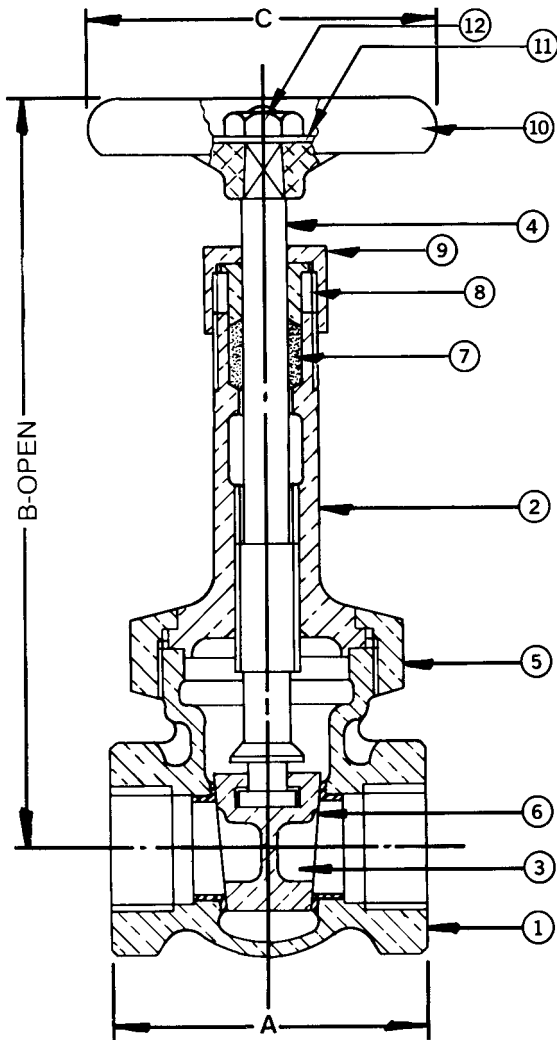
† Non-Shock

*4" SIZE HAS A BOLTED BONNET (NOT PICTURED)

The information presented on this sheet is correct at the time of publication. Hammond Valve reserves the right to change design, and/or material specifications without notice. For the Installation, Operation and Maintenance Manual (IOM) see the Technical/Service Information section on our website. For the most current information access www.hammondvalve.com Hammond Valve is a registered trade mark of Milwaukee Valve Company.

IB650 1/4"-2"

Bronze Gate Valve
200 SWP - 400 WOG †
Solid Wedge Disc • Rising Stem
Union Bonnet • Threaded Ends • Cu-Ni Seat
Conforms to: MSS SP-80



MATERIAL LIST			
No.	PART	MATERIAL	SPECIFICATION
1	Body	Bronze	ASTM B61
2	Bonnet	Bronze	ASTM B61
3	Wedge Disc	Bronze	ASTM B61
4	Stem	Bronze	ASTM B61
5	Union Bonnet Nut	Bronze	ASTM B61
6	Seat Ring	Cu-Ni	90-10
7	Packing	Graphite	Commercial
8	Gland	Brass	ASTM B 124 C37700
9	Packing Nut	Brass	ASTM B 283 C37700
10	Handwheel	Mall. Iron	Commercial
11	Name Plate	Aluminum	Commercial
12	Handwheel Nut	Brass	Commercial

DIMENSIONS - INCHES/MILLIMETERS					
Units	Size	A	B	C	C _v
Inches	1/4	1.81	5.13	2.25	5.6
mm		46	130	57	
Inches	3/8	1.88	5.13	2.25	10.7
mm		48	130	57	
Inches	1/2	2.25	5.50	2.50	17.6
mm		57	140	64	
Inches	3/4	2.50	6.25	2.75	32.0
mm		64	159	70	
Inches	1	2.88	7.19	2.75	54.0
mm		73	183	70	
Inches	1 1/4	3.25	8.56	3.25	97.0
mm		83	218	83	
Inches	1 1/2	3.50	9.56	3.75	135.0
mm		89	243	95	
Inches	2	3.75	11.75	4.25	230.0
mm		95	299	108	

† Non-Shock

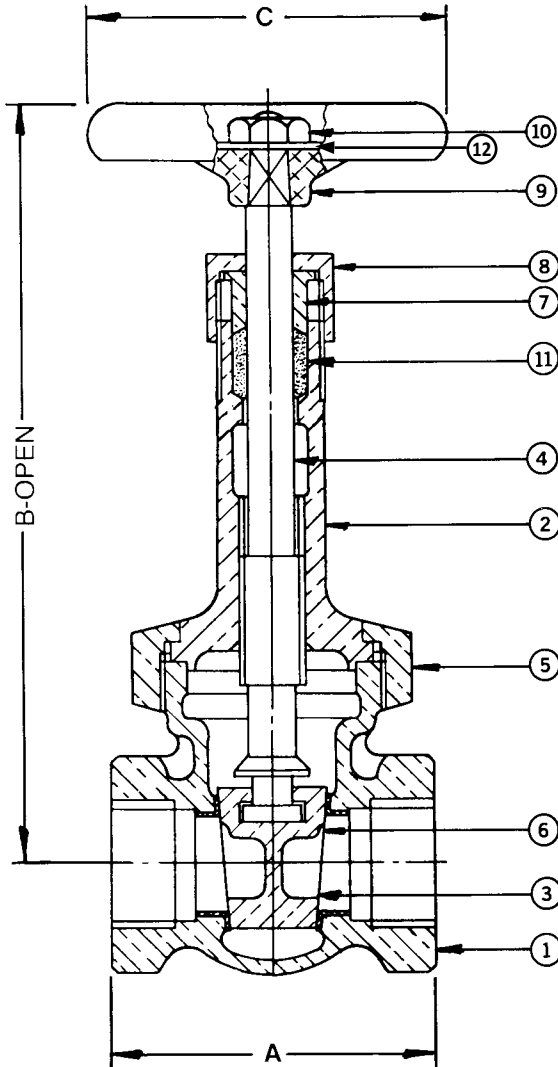
Note: Not intended for use in potable water.

The information presented on this sheet is correct at the time of publication. Hammond Valve reserves the right to change design, and/or material specifications without notice. For the Installation, Operation and Maintenance Manual (IOM) see the Technical/Service Information section on our website. For the most current information access www.hammondvalve.com Hammond Valve is a registered trade mark of Milwaukee Valve Company.

IB651 1/4"-3"

Bronze Gate Valve
200 SWP - 400 WOG †
Solid Wedge Disc • Rising Stem
Union Bonnet • Threaded Ends • Stainless Seat
Conforms to: MSS SP-80

Wear-resistant stainless seat rings are securely expanded into the body to assure trouble-free service. Normal seating wear is restricted to the bronze wedge and can be easily replaced.



Note: Not intended for use in potable water.

MATERIAL LIST			
No.	PART	MATERIAL	SPECIFICATION
1	Body	Bronze	ASTM B61
2	Bonnet	Bronze	ASTM B61
3	Wedge Disc	Bronze	ASTM B61
4	Stem	Bronze	ASTM B61
5	Union Bonnet Nut	Bronze	ASTM B61
6	Seat Ring	St. Steel	ASTM A 240 TY304
7	Gland	Brass	ASTM B 124 C37700
8	Packing Nut	Brass	ASTM B 124 C37700
9	Handwheel	Mall. Iron	Commercial
10	Handwheel Nut	Brass	Commercial
11	Packing	Graphite	Commercial
12	Identification Plate	Aluminum	Commercial

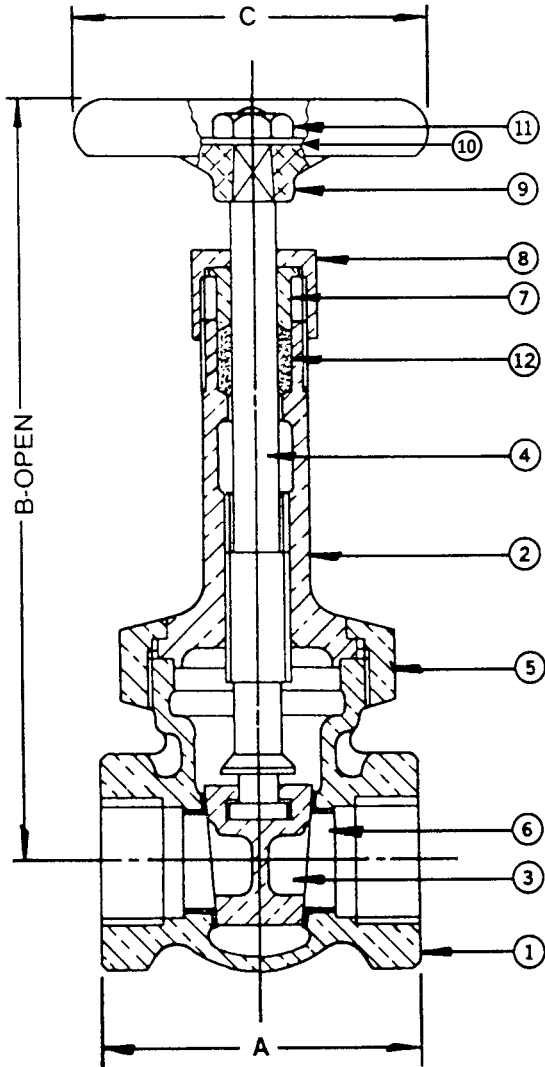
DIMENSIONS - INCHES/MILLIMETERS					
Units	Size	A	B	C	C _v
Inches mm	1/4	1.81 46	5.13 130	2.25 57	5.6
Inches mm	3/8	1.88 48	5.13 130	2.25 57	10.7
Inches mm	1/2	2.25 57	5.50 140	2.50 64	17.6
Inches mm	3/4	2.50 64	6.25 159	2.75 70	32.0
Inches mm	1	2.88 73	7.19 183	2.75 70	54.0
Inches mm	1 1/4	3.25 83	8.56 218	3.25 83	97.0
Inches mm	1 1/2	3.50 89	9.63 245	3.75 95	135.0
Inches mm	2	3.75 95	11.75 299	4.25 108	230.0
Inches mm	2 1/2	4.63 118	14.50 368	4.75 121	337.0
Inches mm	3	5.00 127	16.75 426	5.50 140	230.0

† Non-Shock

The information presented on this sheet is correct at the time of publication. Hammond Valve reserves the right to change design, and/or material specifications without notice. For the Installation, Operation and Maintenance Manual (IOM) see the Technical/Service Information section on our website. For the most current information access www.hammondvalve.com Hammond Valve is a registered trade mark of Milwaukee Valve Company.

IB652 1/4"-2"

Bronze Gate Valve
300 SWP - 1000 WOG †
Solid Wedge Disc • Rising Stem
Union Bonnet • Threaded Ends • Cu-Ni Seat
Conforms to: MSS SP-80



Note: Not intended for use in potable water.

MATERIAL LIST			
No.	PART	MATERIAL	SPECIFICATION
1	Body	Bronze	ASTM B61
2	Bonnet	Bronze	ASTM B61
3	Wedge Disc	Bronze	ASTM B61
4	Stem	Bronze	ASTM B61
5	Union Bonnet Nut	Bronze	ASTM B61
6	Seat Ring	Cu-Ni	90-10
7	Gland	Brass	ASTM B 124 C37700
8	Packing Nut	Brass	ASTM B 283 C37700
9	Handwheel	Mall. Iron	Commercial
10	Name Plate	Aluminum	Commercial
11	Handwheel Nut	Brass	Commercial
12	Packing	Graphite	Commercial

DIMENSIONS - INCHES/MILLIMETERS					
Units	Size	A	B	C	C _v
Inches	1/4	1.81	5.13	2.25	5.6
mm		46	130	57	
Inches	3/8	1.88	5.13	2.25	10.7
mm		48	130	57	
Inches	1/2	2.25	5.50	2.50	17.6
mm		57	140	64	
Inches	3/4	2.50	6.25	2.75	32.0
mm		64	159	70	
Inches	1	3.00	7.19	2.75	54.0
mm		76	183	70	
Inches	1 1/4	3.38	8.56	3.25	97.0
mm		86	218	83	
Inches	1 1/2	3.50	9.63	3.75	135.0
mm		89	245	95	
Inches	2	3.75	11.75	4.25	230.0
mm		95	299	108	

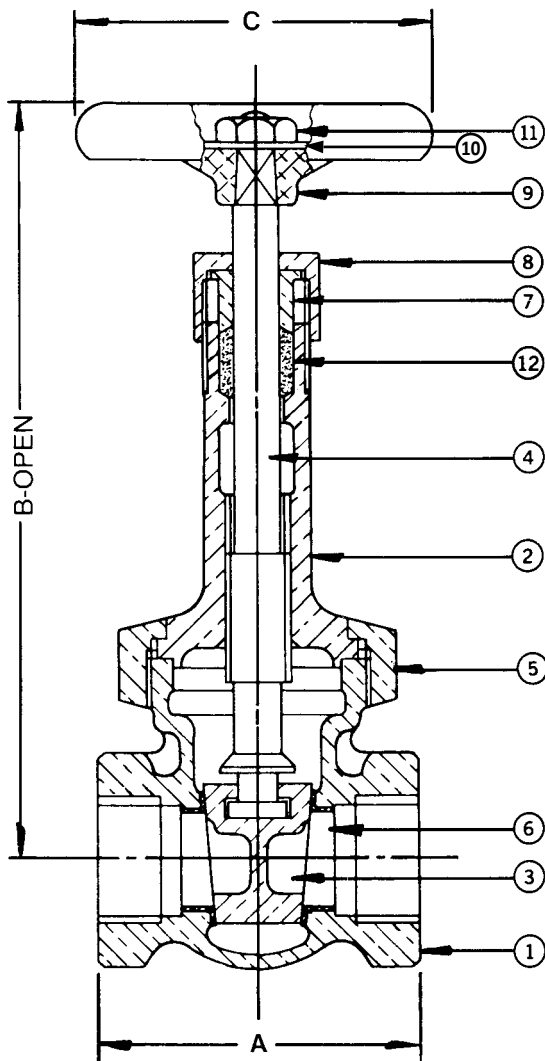
† Non-Shock

The information presented on this sheet is correct at the time of publication. Hammond Valve reserves the right to change design, and/or material specifications without notice. For the Installation, Operation and Maintenance Manual (IOM) see the Technical/Service Information section on our website. For the most current information access www.hammondvalve.com Hammond Valve is a registered trade mark of Milwaukee Valve Company.

IB654 1/4"-3"

Bronze Gate Valve
300 SWP - 1000 WOG †
Solid Wedge Disc • Rising Stem
Union Bonnet • Threaded Ends • Stainless Seat
Conforms to: MSS SP-80

Wear-resistant stainless seat rings are securely expanded into the body to assure trouble-free service. Normal seating wear is restricted to the bronze wedge and can be easily replaced.



Note: Not intended for use in potable water.

MATERIAL LIST			
No.	PART	MATERIAL	SPECIFICATION
1	Body	Bronze	ASTM B61
2	Bonnet	Bronze	ASTM B61
3	Wedge Disc	Bronze	ASTM B61
4	Stem	Bronze	ASTM B61
5	Union Bonnet Nut	Bronze	ASTM B61
6	Seat Ring	St. Steel	ASTM A 240 TY304
7	Gland	Brass	ASTM B 124 C37700
8	Packing Nut	Brass	ASTM B 283 C37700
9	Handwheel	Mall. Iron	Commercial
10	Name Plate	Aluminum	Commercial
11	Handwheel Nut	Brass	Commercial
12	Packing	Graphite	Commercial

DIMENSIONS - INCHES/MILLIMETERS					
Units	Size	A	B	C	C _v
Inches mm	1/4	1.81 46	5.13 130	2.25 57	5.6
Inches mm	3/8	1.88 48	5.13 130	2.25 57	10.7
Inches mm	1/2	2.25 57	5.50 140	2.50 64	17.6
Inches mm	3/4	2.50 64	6.25 159	2.75 70	32.0
Inches mm	1	3.00 76	7.19 183	2.75 70	54.0
Inches mm	1 1/4	3.38 86	8.56 218	3.25 83	97.0
Inches mm	1 1/2	3.50 89	9.63 245	3.75 95	135.0
Inches mm	2	3.75 95	11.75 299	4.25 108	230.0
Inches mm	2 1/2	4.63 118	14.50 368	4.75 121	337.0
Inches mm	3	5.00 127	16.75 426	5.50 140	536.0

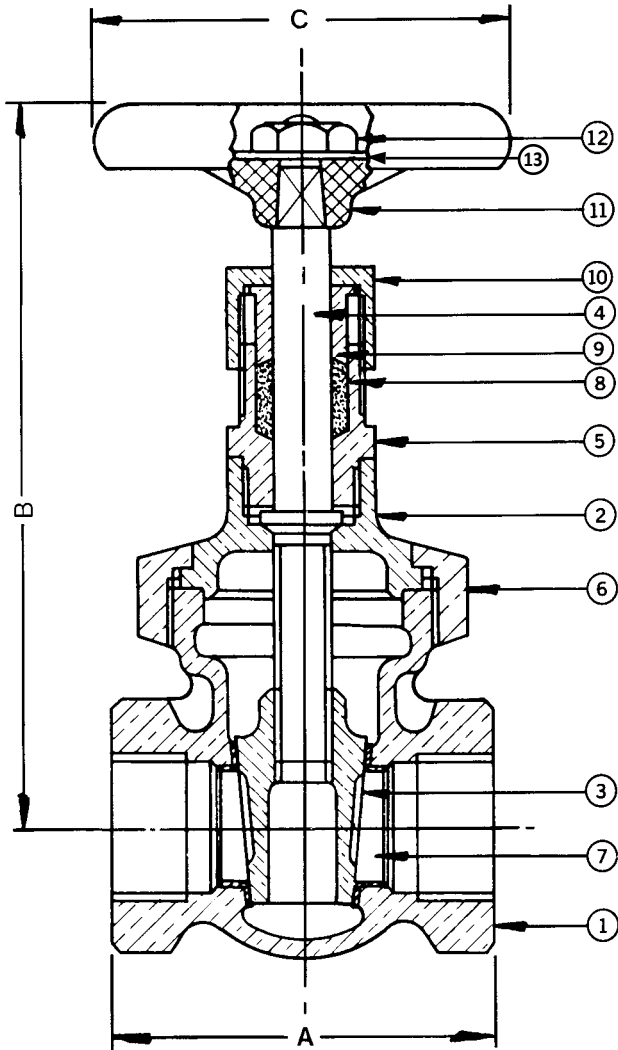
† Non-Shock

The information presented on this sheet is correct at the time of publication. Hammond Valve reserves the right to change design, and/or material specifications without notice. For the Installation, Operation and Maintenance Manual (IOM) see the Technical/Service Information section on our website. For the most current information access www.hammondvalve.com Hammond Valve is a registered trade mark of Milwaukee Valve Company.

IB656 1/4"-2"

Bronze Gate Valve
300 SWP - 1000 WOG †
Solid Wedge Disc • Non-Rising Stem
Union Bonnet • Threaded Ends • Stainless Seat
Conforms to: MSS SP-80*

Wear-resistant stainless seat rings are securely expanded into the body to assure trouble-free service. Normal seating wear is restricted to the bronze wedge and can be easily replaced.



Note: Not intended for use in potable water.

MATERIAL LIST			
No.	PART	MATERIAL	SPECIFICATION
1	Body	Bronze	ASTM B61
2	Bonnet	Bronze	ASTM B61
3	Wedge Disc	Bronze	ASTM B61
4	Stem	Bronze	ASTM B61
5	Stuffing Box	Bronze	ASTM B61
6	Union Bonnet Nut	Bronze	ASTM B61
7	Seat Ring	St. Steel	ASTM A 240 TY304
8	Packing	Graphite	Commercial
9	Gland	Brass	ASTM B 124 C37700
10	Packing Nut	Brass	ASTM B 283 C37700
11	Handwheel	Mall. Iron	Commercial
12	Handwheel Nut	Brass	Commercial
13	Name Plate	Aluminum	Commercial

DIMENSIONS - INCHES/MILLIMETERS					
Units	Size	A	B	C	C _v
Inches	1/4	1.81	4.13	2.25	5.6
mm		46	105	57	
Inches	3/8	1.88	4.13	2.25	10.7
mm		48	105	57	
Inches	1/2	2.25	4.31	2.50	17.6
mm		57	110	64	
Inches	3/4	2.50	4.56	2.75	32.0
mm		64	116	70	
Inches	1	3.00	5.19	2.75	54.0
mm		76	132	70	
Inches	1 1/4	3.38	5.94	3.25	97.0
mm		86	151	83	
Inches	1 1/2	3.50	6.38	3.75	135.0
mm		89	162	95	
Inches	2	3.75	7.69	4.25	230.0
mm		95	195	108	

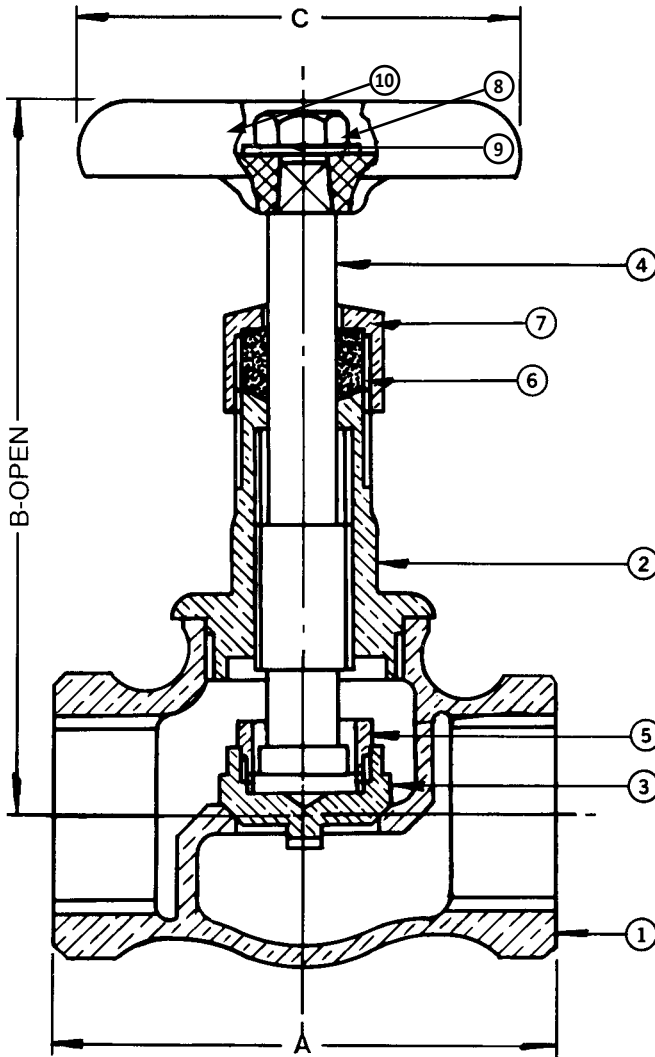
† Non-Shock

* 4" is not covered in MSS SP-80

The information presented on this sheet is correct at the time of publication. Hammond Valve reserves the right to change design, and/or material specifications without notice. For the Installation, Operation and Maintenance Manual (IOM) see the Technical/Service Information section on our website. For the most current information access www.hammondvalve.com Hammond Valve is a registered trade mark of Milwaukee Valve Company.

IB440 1/8"-3"

Bronze Globe Valve
125 SWP - 200 WOG †
Bronze Disc
Threaded Bonnet • Threaded Ends
Conforms to: MSS SP-80



Note: Not intended for use in potable water.

MATERIAL LIST			
No.	PART	MATERIAL	SPECIFICATION
1	Body	Bronze	ASTM B62
2	Bonnet	Bronze	ASTM B62
3	Disc	Bronze	ASTM B62
4	Stem	Bronze	ASTM B16
5	Disc Ring	Brass	ASTM B16 3/4" to 2" ASTM B62 2 1/2" and 3"
6	Packing	Graphite	Commercial
7	Packing Nut	Brass	ASTM B16
8	Handwheel	Mall. Iron	Commercial
9	Name Plate	Aluminum	Commercial
10	Handwheel Nut	Brass	Commercial
11	Gland (not shown)	Brass	ASTM B16 2 1/2" and 3" only

1/8" to 1/2" sizes have the disc integral with the stem and have no disc ring.

DIMENSIONS - INCHES/MILLIMETERS					
Units	Size	A	B	C	C _v
Inches mm	1/8	1.63 41	3.06 78	2.00 51	0.61
Inches mm	1/4	1.63 41	3.06 78	2.00 51	1.16
Inches mm	3/8	1.81 46	3.19 81	2.00 51	2.21
Inches mm	1/2	2.31 59	3.63 92	2.25 57	3.64
Inches mm	3/4	2.56 65	3.94 100	2.50 64	6.65
Inches mm	1	2.94 75	4.38 111	2.75 70	11.10
Inches mm	1 1/4	3.38 86	5.19 132	3.13 79	20.00
Inches mm	1 1/2	3.69 94	5.75 146	3.50 89	28.00
Inches mm	2	4.44 113	6.75 172	4.00 102	48.00
Inches mm	2 1/2	5.75 146	8.63 219	4.75 121	70.00
Inches mm	3	6.88 175	9.25 235	5.50 140	111.00

† Non-Shock

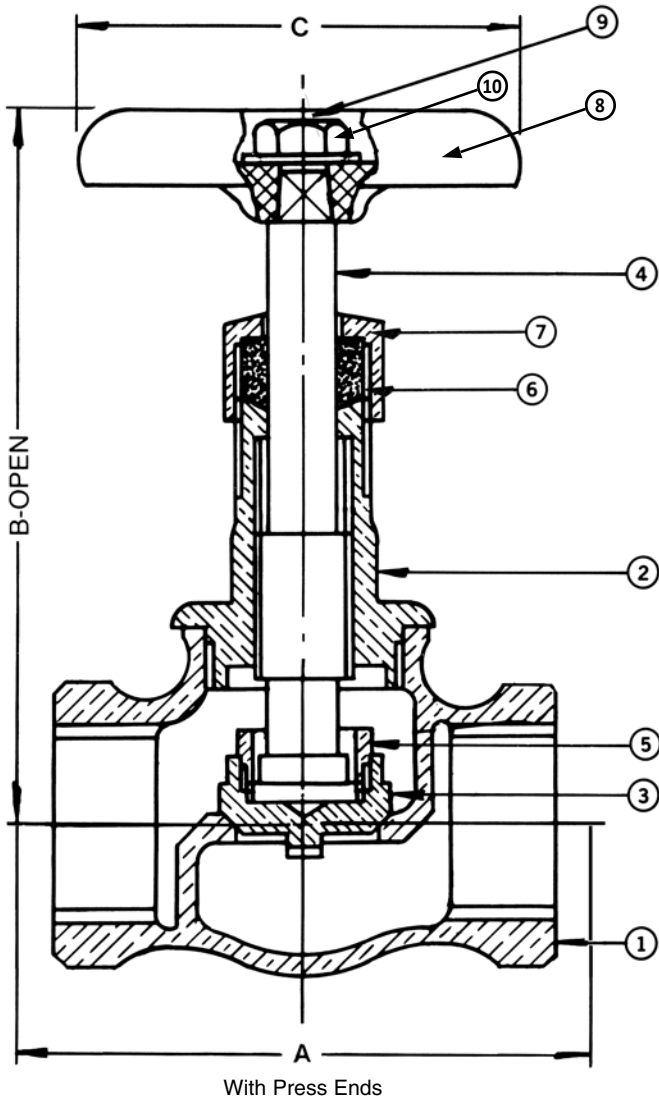
The information presented on this sheet is correct at the time of publication. Hammond Valve reserves the right to change design, and/or material specifications without notice. For the Installation, Operation and Maintenance Manual (IOM) see the Technical/Service Information section on our website. For the most current information access www.hammondvalve.com Hammond Valve is a registered trade mark of Milwaukee Valve Company.

IB440 P2 1/2"-2"

ULTRAPRESS

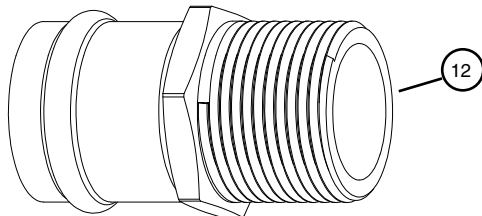
Bronze Globe Valve
200 psig @ 250°F †
Bronze Disc

Threaded Bonnet • Press Ends
Conforms to: MSS SP-80



With Press Ends

Note: Not intended for use in potable water.



Press End Adapter (4151 Series)

MATERIAL LIST			
No.	PART	MATERIAL	SPECIFICATION
1	Body	Bronze	ASTM B62
2	Bonnet	Bronze	ASTM B62
3	Disc	Bronze	ASTM B62
4	Stem	Bronze	ASTM B16
5	Disc Ring	Brass	ASTM B16 3/4" to 2"
6	Packing	Graphite	Commercial
7	Packing Nut	Brass	ASTM B16
8	Handwheel	Mall. Iron	Commercial
9	Name Plate	Aluminum	Commercial
10	Handwheel Nut	Brass	Commercial
11	Gland (not shown)	Brass	ASTM B16
12	Press Adapter	Brass Fitted W/EPDM O-Ring	ASTM C27450

1/2" size has the disc integral with the stem and have no disc ring.

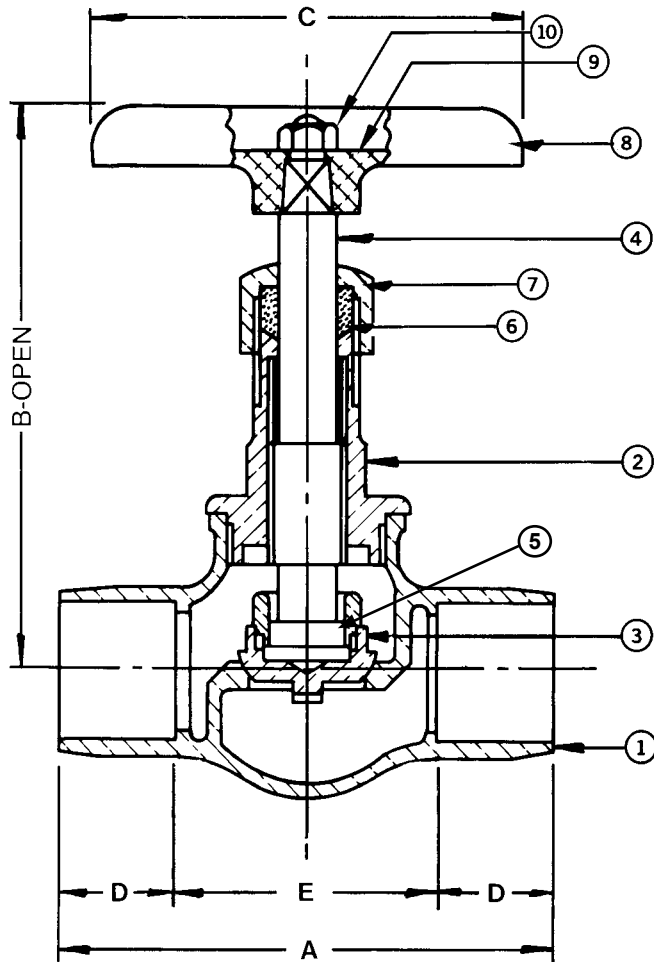
DIMENSIONS - INCHES/MILLIMETERS						
Units	Size	STD Insertion Depth	A	B	C	C _v
Inches mm	1/2	0.87 22	5.31 135	3.63 92	2.25 57	3.64
Inches mm	3/4	0.98 166	6.14 156	3.94 100	2.50 64	6.65
Inches mm	1	0.98 166	6.94 176	4.38 111	2.75 70	11.10
Inches mm	1 1/4	1.02 26	7.45 189	5.19 132	3.13 79	20.00
Inches mm	1 1/2	1.42 36	8.17 208	5.75 146	3.50 89	28.00
Inches mm	2	1.58 40	10.44 265	6.75 172	4.00 102	48.00

† Non-Shock

The information presented on this sheet is correct at the time of publication. Hammond Valve reserves the right to change design, and/or material specifications without notice. For the Installation, Operation and Maintenance Manual (IOM) see the Technical/Service Information section on our website. For the most current information access www.hammondvalve.com Hammond Valve is a registered trade mark of Milwaukee Valve Company.

IB418 3/8"-2"

Bronze Globe Valve
125 SWP - 200 WOG †
Bronze Disc
Threaded Bonnet • Solder Ends
Conforms to: MSS SP-80



Note: Not intended for use in potable water.

MATERIAL LIST			
No.	PART	MATERIAL	SPECIFICATION
1	Body	Bronze	ASTM B62
2	Bonnet	Bronze	ASTM B62
3	Disc*	Bronze	ASTM B62
4	Stem	Bronze	ASTM B16
5	Disc Ring	Brass	ASTM B16 3/4" to 2" Incl.
6	Packing	Graphite	Commercial
7	Packing Nut	Brass	ASTM B16
8	Handwheel	Mall. Iron	Commercial
9	Name Plate	Aluminum	Commercial
10	Handwheel Nut	Brass	Commercial

* 3/8" and 1/2" sizes have the disc integral with the stem and have no disc ring. 3/4" - 1 1/4" sizes Disc material is ASTM B453 C4500

DIMENSIONS - INCHES/MILLIMETERS							
Units	Size	A	B	C	D	E	C _v
Inches mm	3/8	2.00 59	3.19 82	2.00 51	0.38 10	1.25 32	2.21
Inches mm	1/2	2.44 62	3.75 95	2.25 57	0.50 13	1.44 37	3.64
Inches mm	3/4	3.19 81	4.00 102	2.50 64	0.75 19	1.69 43	6.65
Inches mm	1	3.69 94	4.38 111	2.75 70	0.91 23	1.88 43	11.10
Inches mm	1 1/4	4.19 106	5.13 130	3.13 80	0.97 25	2.25 57	20.00
Inches mm	1 1/2	4.75 121	5.63 143	3.50 89	1.09 28	2.56 65	28.00
Inches mm	2	5.94 151	6.69 170	4.00 102	1.34 34	3.25 83	48.00

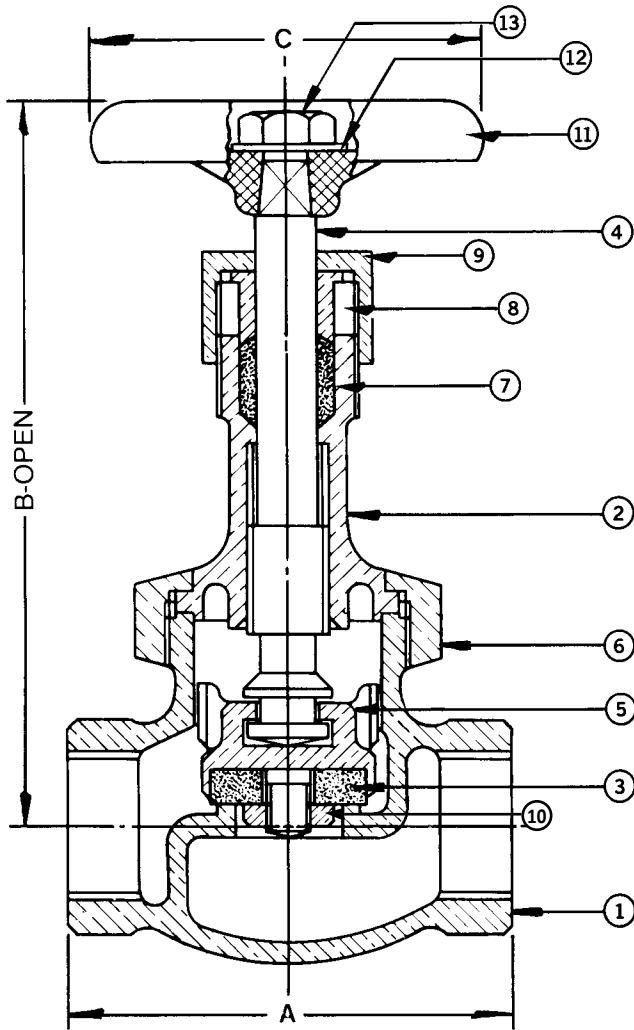
† Non-Shock

The information presented on this sheet is correct at the time of publication. Hammond Valve reserves the right to change design, and/or material specifications without notice. For the Installation, Operation and Maintenance Manual (IOM) see the Technical/Service Information section on our website. For the most current information access www.hammondvalve.com Hammond Valve is a registered trade mark of Milwaukee Valve Company.

IB413T 1/8"-3"

**Bronze Globe Valve
150 SWP - 300 WOG †
Teflon Disc**

**Union Bonnet • Threaded Ends
Conforms to: MSS SP-80**



Note: Not intended for use in potable water.

MATERIAL LIST

No.	PART	MATERIAL	SPECIFICATION
1	Body	Bronze	ASTM B62
2	Bonnet	Bronze	ASTM B62
3	Disc	Teflon	
4	Stem	Bronze	ASTM B62
5	Disc Holder	Bronze	ASTM B16 1/4" to 3/4" ASTM B62 1" and 3" Incl.
6	Union Bonnet Nut	Bronze	ASTM B62
7	Packing	Graphite	Commercial
8	Gland	Brass	ASTM B 124 C37700
9	Packing Nut	Brass	ASTM B 283 C37700
10	Disc Nut	Bronze	Commercial
11	Handwheel	Mall. Iron	Commercial
12	Name Plate	Aluminum	Commercial
13	Handwheel Nut	Brass	Commercial

DIMENSIONS - INCHES/MILLIMETERS

Units	Size	A	B	C	C _v
Inches mm	1/8	2.06 52	3.94 100	2.00 51	0.61
Inches mm	1/4	2.06 52	3.94 100	2.00 51	1.16
Inches mm	3/8	2.06 52	4.25 108	2.00 51	2.21
Inches mm	1/2	2.44 62	4.56 116	2.50 64	3.64
Inches mm	3/4	2.94 75	5.19 132	2.75 70	6.65
Inches mm	1	3.44 87	5.50 140	3.13 79	11.10
Inches mm	1 1/4	3.88 98	6.25 159	3.50 89	20.00
Inches mm	1 1/2	4.50 114	7.13 181	3.75 95	28.00
Inches mm	2	5.75 146	8.88 226	4.75 121	48.00
Inches mm	2 1/2	6.75 172	10.63 270	5.25 133	70.00
Inches mm	3	8.00 203	12.13 308	6.00 152	111.00

† Non-Shock

The information presented on this sheet is correct at the time of publication. Hammond Valve reserves the right to change design, and/or material specifications without notice. For the Installation, Operation and Maintenance Manual (IOM) see the Technical/Service Information section on our website. For the most current information access www.hammondvalve.com Hammond Valve is a registered trade mark of Milwaukee Valve Company.

IB413T P2 1/2"-2"

ULTRAPRESS

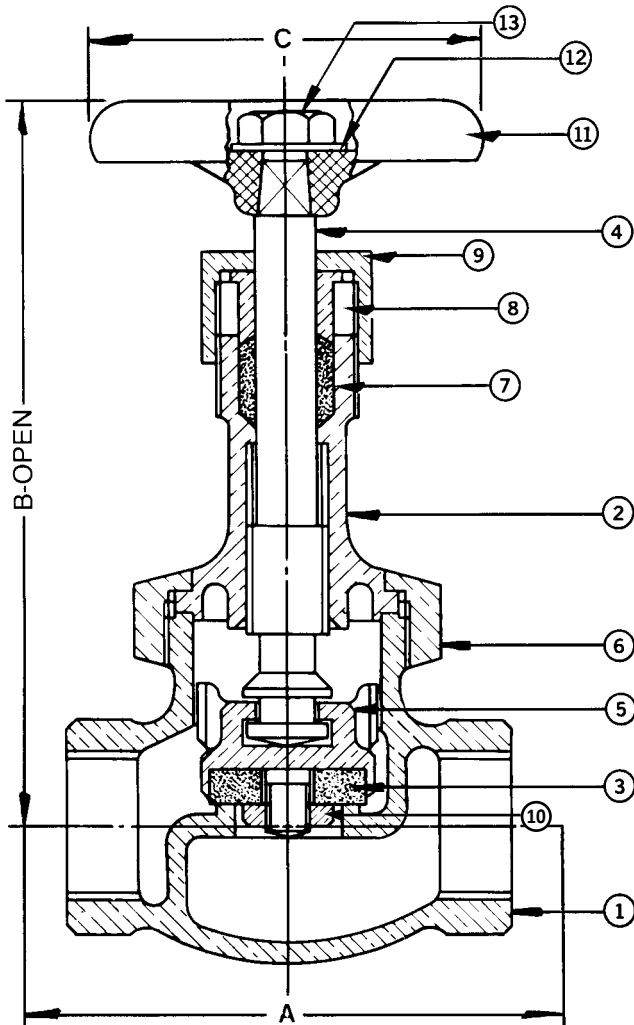
Bronze Globe Valve

200 psig @ 250°F †

Teflon Disc

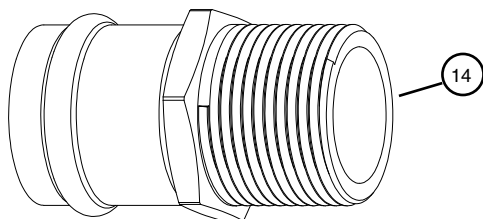
Union Bonnet • Press Ends

Conforms to: MSS SP-80



With Press Ends

Note: Not intended for use in potable water.



Press End Adapter (4151 Series)

MATERIAL LIST

No.	PART	MATERIAL	SPECIFICATION
1	Body	Bronze	ASTM B62
2	Bonnet	Bronze	ASTM B62
3	Disc	Teflon	
4	Stem	Bronze	ASTM B62
5	Disc Holder	Bronze	ASTM B16 1/4" to 3/4" ASTM B62 1" and 2" Incl.
6	Union Bonnet Nut	Bronze	ASTM B62
7	Packing	Graphite	Commercial
8	Gland	Brass	ASTM B 124 C37700
9	Packing Nut	Brass	ASTM B 124 C37700
10	Disc Nut	Bronze	Commercial
11	Handwheel	Mall. Iron	Commercial
12	Name Plate	Aluminum	Commercial
13	Handwheel Nut	Brass	Commercial
14	Press Adapters	Brass Fitted W/EPDM O-Ring	ASTM C27450

DIMENSIONS - INCHES/MILLIMETERS

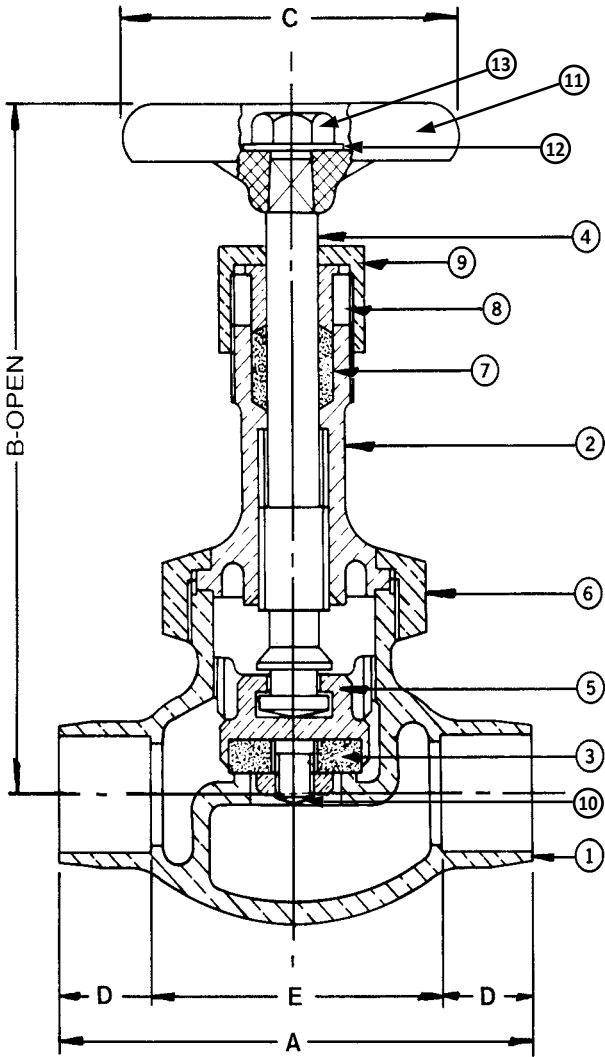
Units	Size	STD Insertion Depth	A	B	C	C _v
Inches	1/2	0.87	5.44	4.56	2.50	3.64
mm		22	138	116	64	
Inches	3/4	0.98	6.52	5.19	2.75	6.65
mm		25	166	132	70	
Inches	1	0.98	7.44	5.50	3.13	11.10
mm		25	189	140	79	
Inches	1 1/4	1.02	7.95	6.25	3.50	20.00
mm		26	202	159	89	
Inches	1 1/2	1.42	8.98	7.13	3.75	28.00
mm		36	228	181	95	
Inches	2	1.58	11.75	8.88	4.75	48.00
mm		40	298	226	121	

† Non-Shock

The information presented on this sheet is correct at the time of publication. Hammond Valve reserves the right to change design, and/or material specifications without notice. For the Installation, Operation and Maintenance Manual (IOM) see the Technical/Service Information section on our website. For the most current information access www.hammondvalve.com Hammond Valve is a registered trade mark of Milwaukee Valve Company.

IB423 1/2"-3"

Bronze Globe Valve
150 SWP - 300 WOG †
Teflon Disc
Union Bonnet • Solder Ends
Conforms to: MSS SP-80



Note: Not intended for use in potable water.

MATERIAL LIST			
No.	PART	MATERIAL	SPECIFICATION
1	Body	Bronze	ASTM B62
2	Bonnet	Bronze	ASTM B62
3	Disc	Teflon	
4	Stem	Bronze	ASTM B62
5	Disc Holder	Bronze	ASTM B62
6	Union Bonnet Nut	Bronze	ASTM B62
7	Packing	Graphite	Commercial
8	Gland	Brass	ASTM B16
9	Packing Nut	Brass 1/2"-1 1/4"	ASTM B584
		Bronze 1 1/2"-1 1/4"	
10	Disc Nut	Bronze	ASTM B62
11	Handwheel	Mall. Iron	Commercial
12	Name Plate	Aluminum	Commercial
13	Handwheel Nut	Brass	ASTM B16

DIMENSIONS - INCHES/MILLIMETERS							
Units	Size	A	B	C	D	E	C _v
Inches	1/2	2.75	4.50	2.25	0.50	1.75	3.64
mm		70	114	57	13	45	
Inches	3/4	3.56	5.19	2.75	0.75	2.06	6.65
mm		91	132	70	19	52	
Inches	1	4.31	5.50	3.13	0.91	2.50	11.10
mm		110	140	80	23	64	
Inches	1 1/4	5.00	6.25	3.50	0.97	3.06	20.00
mm		127	159	89	25	78	
Inches	1 1/2	5.75	7.13	3.75	1.09	3.56	28.00
mm		146	181	95	28	91	
Inches	2	7.06	8.88	4.75	1.34	4.38	48.00
mm		179	225	121	34	111	
Inches	2 1/2	8.19	10.63	5.50	1.47	5.25	70.00
mm		64	270	140	37	133	
Inches	3	9.56	12.13	6.00	1.66	6.25	111.00
mm		243	308	152	42	159	

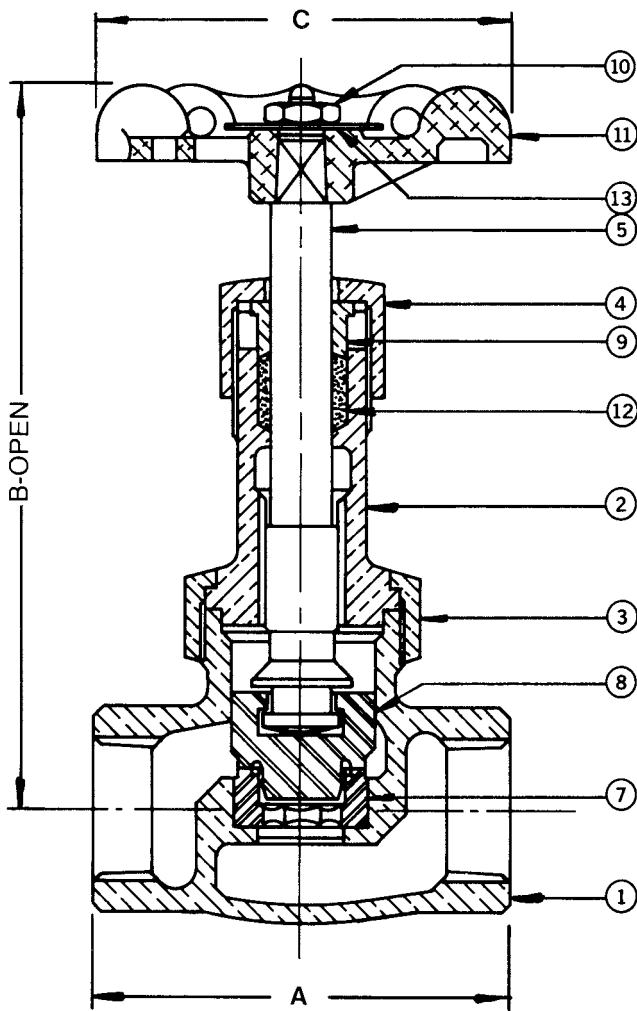
† Non-Shock

The information presented on this sheet is correct at the time of publication. Hammond Valve reserves the right to change design, and/or material specifications without notice. For the Installation, Operation and Maintenance Manual (IOM) see the Technical/Service Information section on our website. For the most current information access www.hammondvalve.com Hammond Valve is a registered trade mark of Milwaukee Valve Company.

IB434 1/4"-2"

Bronze Globe Valve
200 SWP - 400 WOG †
Special Hardened S.S. Seat Ring and Disc
Union Bonnet • Threaded Ends
Conforms to: MSS SP-80

- This valve has flat seat shutoff with plug type disc for throttling action and replaceable seat and disc.



Note: Not intended for use in potable water.

MATERIAL LIST			
No.	PART	MATERIAL	SPECIFICATION
1	Body	Bronze	ASTM B61
2	Bonnet	Bronze	ASTM B61
3	Union Bonnet Nut	Bronze	ASTM B61
4	Packing Nut	Bronze	ASTM B62
5	Stem	Bronze	ASTM B61
6 ¹	Disc Ring	Bronze	ASTM B62
7	Seat Ring	St. Steel	ASTM A 276, TY. 420
8	Disc	St. Steel	ASTM A 276, TY. 420
9	Gland	Brass	ASTM B 124 C37700
10	Handwheel Nut	Brass	ASTM B16
11	Handwheel	Mall. Iron	Commercial
12	Packing	Graphite	Graphite
13	Name Plate	Sh. Alum.	Commercial

¹ Not shown- used on 1 1/4" and larger valves only.

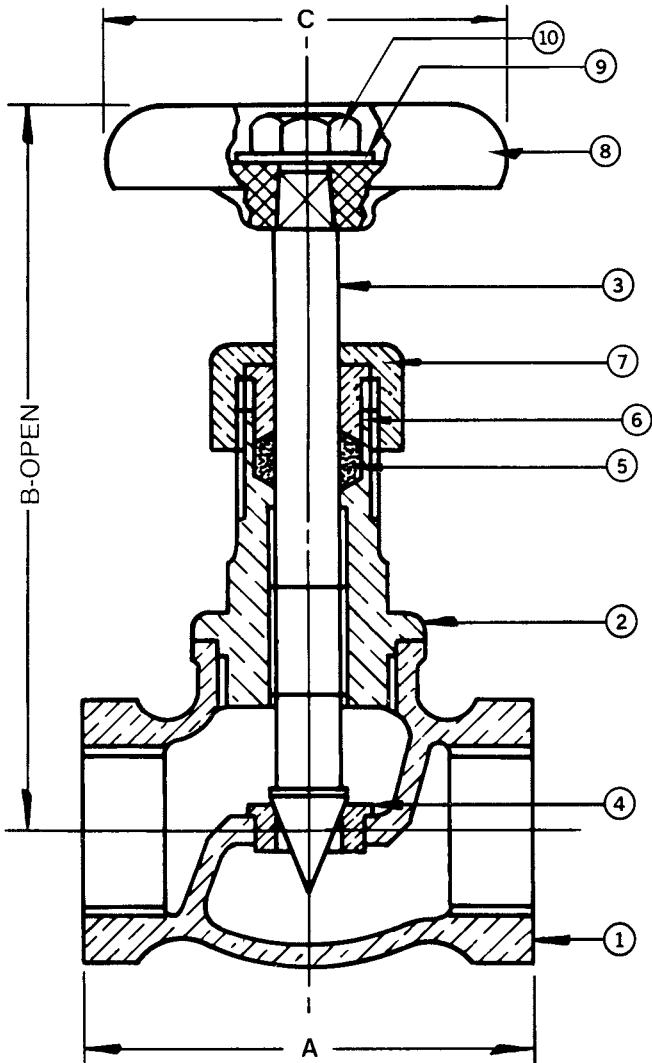
DIMENSIONS - INCHES/MILLIMETERS					
Units	Size	A	B	C	C _v
Inches mm	1/4	2.13 54	4.38 111	2.00 51	1.16
Inches mm	3/8	2.38 60	4.44 113	2.00 51	2.21
Inches mm	1/2	2.50 64	4.50 114	2.50 64	3.64
Inches mm	3/4	2.94 75	5.13 130	2.75 70	6.65
Inches mm	1	3.38 86	5.25 133	3.25 83	11.10
Inches mm	1 1/4	3.88 98	6.19 157	3.75 95	20.00
Inches mm	1 1/2	4.50 114	7.25 184	4.25 108	28.00
Inches mm	2	4.88 124	8.19 208	4.75 121	48.00

† Non-Shock

The information presented on this sheet is correct at the time of publication. Hammond Valve reserves the right to change design, and/or material specifications without notice. For the Installation, Operation and Maintenance Manual (IOM) see the Technical/Service Information section on our website. For the most current information access www.hammondvalve.com Hammond Valve is a registered trade mark of Milwaukee Valve Company.

IB415 1/8"-3/4"

**Bronze Globe Valve
200 SWP - 400 WOG †
Needle Point Bronze Stem
Threaded Bonnet • Threaded Ends
Conforms to: MSS SP-80**



MATERIAL LIST			
No.	PART	MATERIAL	SPECIFICATION
1	Body	Bronze	ASTM B61
2	Bonnet	Bronze	ASTM B61
3	Stem	Bronze	ASTM B61
4	Seat Ring (Pressed In)	Bronze	ASTM B61
5	Packing Nut	Graphite	
6	Gland	Brass	ASTM B 124 C37700
7	Packing Nut	Brass	ASTM B 283 C37700
8	Handwheel	Mall. Iron	Commercial
9	Name Plate	Aluminum	Commercial
10	Handwheel Nut	Brass	Commercial

DIMENSIONS - INCHES/MILLIMETERS				
Units	Size	A	B	C
Inches	1/8	1.63	3.19	2.00
mm		41	81	51
Inches	1/4	1.63	3.19	2.00
mm		41	81	51
Inches	3/8	1.81	3.19	2.00
mm		46	81	51
Inches	1/2	2.31	3.63	2.00
mm		59	92	51
Inches	3/4	2.56	3.94	2.25
mm		65	100	57

† Non-Shock

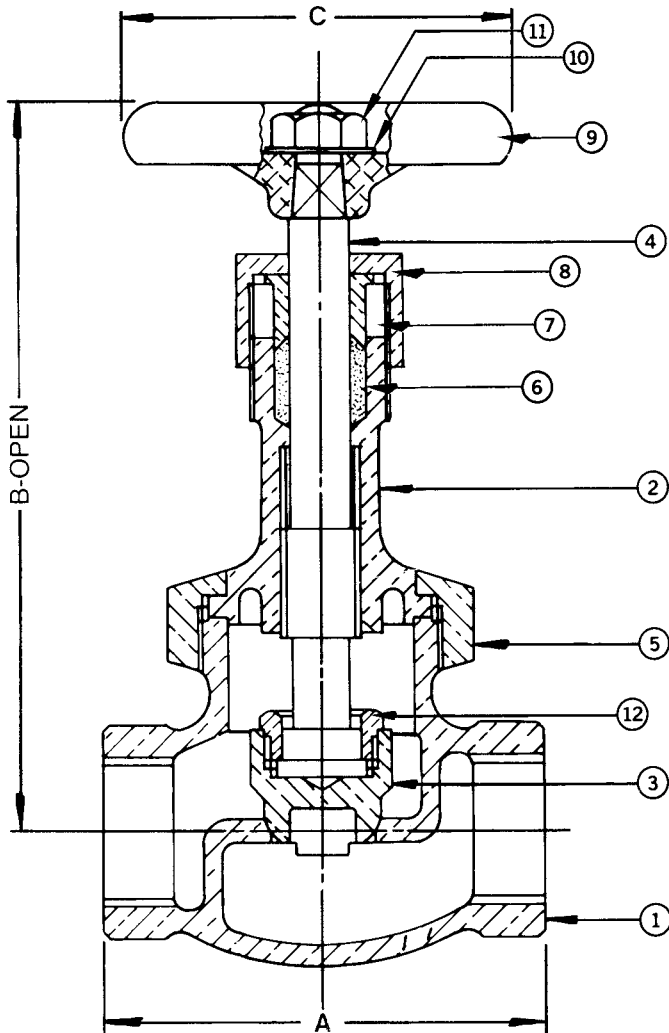
Note: Not intended for use in potable water.

The information presented on this sheet is correct at the time of publication. Hammond Valve reserves the right to change design, and/or material specifications without notice. For the Installation, Operation and Maintenance Manual (IOM) see the Technical/Service Information section on our website. For the most current information access www.hammondvalve.com Hammond Valve is a registered trade mark of Milwaukee Valve Company.

IB412 1/4"-2"

**Bronze Globe Valve
300 SWP - 1000 WOG †
Bronze Renewable Disc
Union Bonnet • Threaded Ends
Conforms to: MSS SP-80**

Disc and stem integral on 1/4" through 1/2".



Note: Not intended for use in potable water.

MATERIAL LIST

No.	PART	MATERIAL	SPECIFICATION
1	Body	Bronze	ASTM B61
2	Bonnet	Bronze	ASTM B61
3	Disc	Bronze	ASTM B61
4	Stem	Bronze	ASTM B61
5	Union Bonnet Nut	Bronze	ASTM B61
6	Packing	Graphite	Commercial
7	Gland	Brass	ASTM B 124 C37700
8	Packing Nut	Brass	ASTM B16
9	Handwheel	Mall. Iron	Commercial
10	Name Plate	Aluminum	Commercial
11	Handwheel Nut	Brass	Commercial
12	Disc Ring	Bronze	Commercial

DIMENSIONS - INCHES/MILLIMETERS

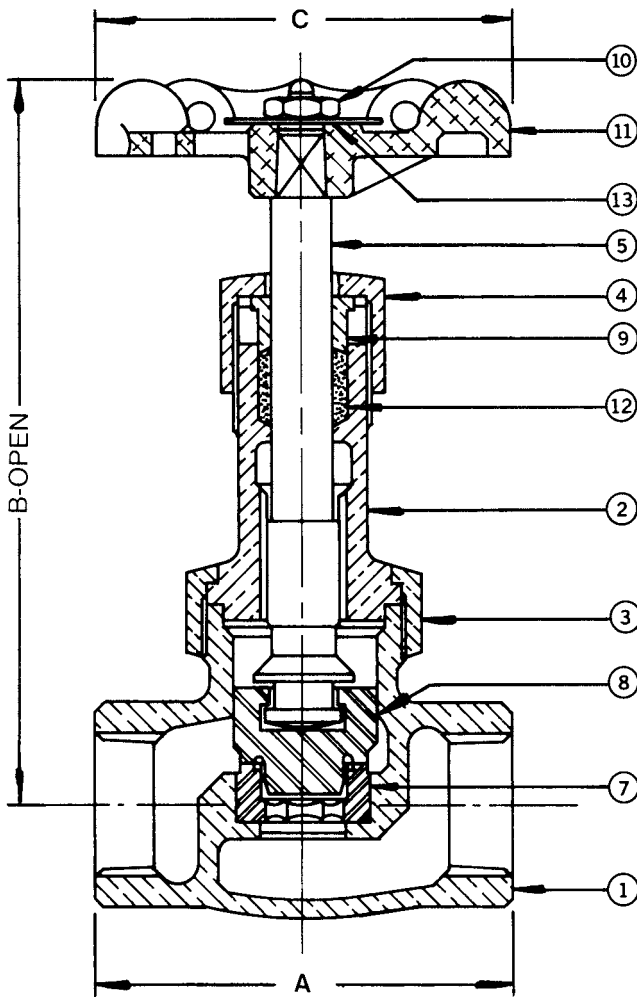
Units	Size	A	B	C	C _v
Inches mm	1/4	2.06 52	4.00 102	2.25 57	1.16
Inches mm	3/8	1.06 52	4.00 102	2.25 57	2.21
Inches mm	1/2	2.44 62	4.50 114	2.50 64	3.64
Inches mm	3/4	2.94 75	5.19 132	2.75 70	6.65
Inches mm	1	3.75 95	6.38 162	3.25 83	11.10
Inches mm	1 1/4	4.25 108	7.00 178	3.75 95	20.00
Inches mm	1 1/2	4.75 121	7.75 197	4.25 108	28.00
Inches mm	2	5.75 146	10.00 254	4.75 121	48.00

† Non-Shock

The information presented on this sheet is correct at the time of publication. Hammond Valve reserves the right to change design, and/or material specifications without notice. For the Installation, Operation and Maintenance Manual (IOM) see the Technical/Service Information section on our website. For the most current information access www.hammondvalve.com Hammond Valve is a registered trade mark of Milwaukee Valve Company.

IB444 1/4"-2"

Bronze Globe Valve
300 SWP - 1000 WOG †
Special Hardened S.S. Seat Ring and Disc
Union Bonnet • Threaded Ends
Conforms to: MSS SP-80



Note: Not intended for use in potable water.

MATERIAL LIST			
No.	PART	MATERIAL	SPECIFICATION
1	Body	Bronze	ASTM B61
2	Bonnet	Bronze	ASTM B61
3	Union Bonnet Nut	Bronze	ASTM B61
4	Packing Nut	Bronze	ASTM B62
5	Stem	Bronze	ASTM B61
6 ¹	Disc Ring	Bronze	ASTM B62
7	Seat Ring	St. Steel	ASTM A 276, TY. 420
8	Disc	St. Steel	ASTM A 276, TY. 420
9	Gland	Brass	ASTM B16
10	Handwheel Nut	Brass	ASTM B16
11	Handwheel	Mall. Iron	Commercial
12	Packing	Graphite	
13	Name Plate	Sh. Alum.	Commercial

¹ Not shown- used on 1 1/4" and larger valves only.

- This valve has flat seat shutoff with plug type disc for throttling action and replaceable seat and disc.

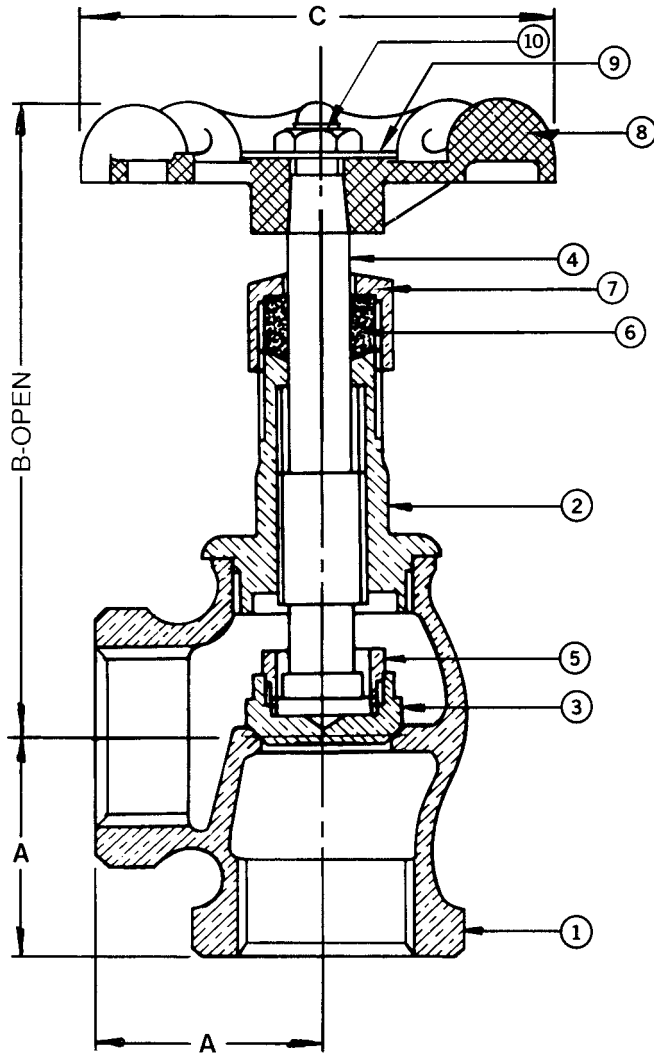
DIMENSIONS - INCHES/MILLIMETERS					
Units	Size	A	B	C	C _v
Inches mm	1/4	2.13 54	4.38 111	2.00 51	1.16
Inches mm	3/8	2.38 60	4.44 113	2.00 51	2.21
Inches mm	1/2	2.75 70	4.50 114	2.25 57	3.64
Inches mm	3/4	3.19 81	5.13 130	2.75 70	6.65
Inches mm	1	3.63 92	5.38 137	3.25 83	11.10
Inches mm	1 1/4	4.13 105	6.25 159	3.75 95	20.00
Inches mm	1 1/2	4.75 121	7.38 187	4.25 108	28.00
Inches mm	2	5.13 130	8.38 213	4.75 121	48.00

† Non-Shock

The information presented on this sheet is correct at the time of publication. Hammond Valve reserves the right to change design, and/or material specifications without notice. For the Installation, Operation and Maintenance Manual (IOM) see the Technical/Service Information section on our website. For the most current information access www.hammondvalve.com Hammond Valve is a registered trade mark of Milwaukee Valve Company.

IB463 1/4"-2 1/2"

Bronze Angle Valve
125 SWP - 200 WOG †
Bronze Disc
Threaded Bonnet • Threaded Ends
Conforms to: MSS SP-80



Note: Not intended for use in potable water.

MATERIAL LIST

No.	PART	MATERIAL	SPECIFICATION
1	Body	Bronze	ASTM B62
2	Bonnet	Bronze	ASTM B62
3	Disc	Bronze	ASTM B62
4	Stem	Bronze	ASTM B62
5	Disc Ring	Brass	ASTM B 16 3/4" to 2" ASTM B 62 2 1/2"
6	Packing	Graphite	Commercial
7	Packing Nut	Brass	ASTM B16
8	Handwheel	Mall. Iron	Commercial
9	Name Plate	Aluminum	Commercial
10	Handwheel Nut	Brass	Commercial
11	Gland (not shown)	Bronze	ASTM B 16

• 1/4" to 1/2" sizes have the disc integral with the stem and have no disc ring.

DIMENSIONS - INCHES/MILLIMETERS

Units	Size	A	B	C	C _v
Inches mm	1/4	0.75 19	3.06 78	2.00 51	1.60
Inches mm	3/8	0.91 23	3.19 81	2.00 51	3.10
Inches mm	1/2	1.00 25	3.63 92	2.25 57	5.10
Inches mm	3/4	1.25 32	3.94 100	2.50 64	9.20
Inches mm	1	1.44 37	4.38 111	2.75 70	16.00
Inches mm	1 1/4	1.69 43	5.19 132	3.13 80	28.00
Inches mm	1 1/2	1.81 46	5.75 146	3.50 89	39.00
Inches mm	2	2.19 56	6.75 172	4.00 102	66.00
Inches mm	2 1/2	3.00 76	8.63 219	4.75 121	100.00

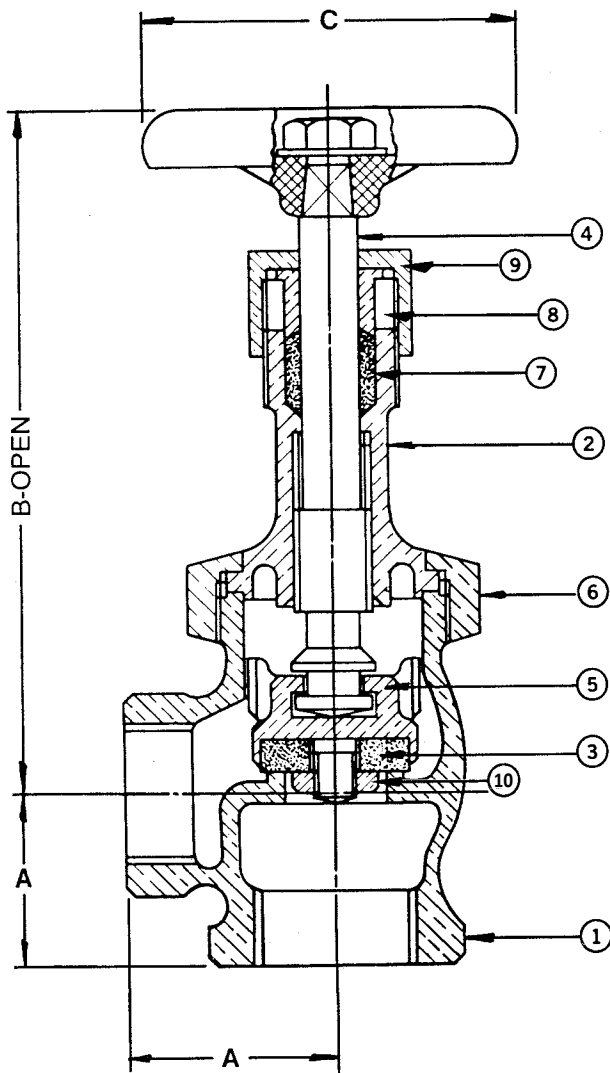
† Non-Shock

The information presented on this sheet is correct at the time of publication. Hammond Valve reserves the right to change design, and/or material specifications without notice. For the Installation, Operation and Maintenance Manual (IOM) see the Technical/Service Information section on our website. For the most current information access www.hammondvalve.com Hammond Valve is a registered trade mark of Milwaukee Valve Company.

IB454T 1/4"-2"

**Bronze Angle Valve
150 SWP - 300 WOG †
Teflon Disc**

**Union Bonnet • Threaded Ends
Conforms to: MSS SP-80**



Note: Not intended for use in potable water.

MATERIAL LIST

No.	PART	MATERIAL	SPECIFICATION
1	Body	Bronze	ASTM B62
2	Bonnet	Bronze	ASTM B62
3	Disc	Teflon	
4	Stem	Bronze	ASTM B62
5	Disc Ring	Brass	ASTM B505 1/4" to 1/2" ASTM B 62 3/4" to 2"
6	Union Bonnet Nut	Bronze	ASTM B62
7	Packing	Graphite	Commercial
8	Gland	Bronze	ASTM B16
9	Packing Nut	Bronze	Commercial
10	Disc Nut	Brass	Commercial
11	Handwheel	Mall. Iron	Commercial
12	Identification Plate	Aluminum	Commercial
13	Handwheel Nut	Brass	Commercial

DIMENSIONS - INCHES/MILLIMETERS

Units	Size	A	B	C	C _v
Inches mm	1/4	1.06 27	3.94 100	2.00 51	1.60
Inches mm	3/8	1.19 30	4.25 108	2.00 51	3.10
Inches mm	1/2	1.19 30	5.13 130	2.50 64	5.10
Inches mm	3/4	1.44 37	5.19 132	2.75 70	9.20
Inches mm	1	1.75 45	6.56 167	3.13 79	16.00
Inches mm	1 1/4	2.06 52	6.25 159	3.50 89	28.00
Inches mm	1 1/2	2.25 57	7.63 194	4.00 102	39.00
Inches mm	2	2.75 70	8.88 225	4.75 121	66.00

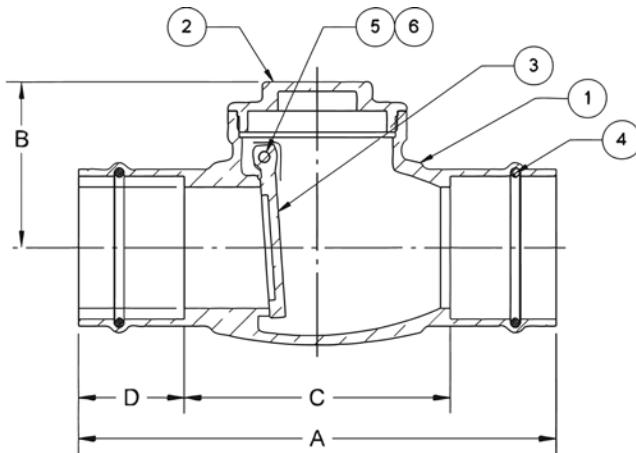
† Non-Shock

The information presented on this sheet is correct at the time of publication. Hammond Valve reserves the right to change design, and/or material specifications without notice. For the Installation, Operation and Maintenance Manual (IOM) see the Technical/Service Information section on our website. For the most current information access www.hammondvalve.com Hammond Valve is a registered trade mark of Milwaukee Valve Company.

969* 1/2"-2"

ULTRAPRESS™

Brass Check Valve
200 psig @ 250°F †
Horizontal Swing, Press Ends



Note: Not intended for use in potable water.

MATERIAL LIST			
No.	PART	MATERIAL	SPECIFICATION
1	Body	Brass	ASTM B283, C37700
2	Cap	Brass	ASTM B283, C37700
3	Disc	Brass	ASTM B283, C37700
4	O-Ring	EPDM	D2000 NSF61
5	Pin	St. Steel	ASTM A276 TY. 304
6	Side Plug	Brass	ASTM B124, C37700

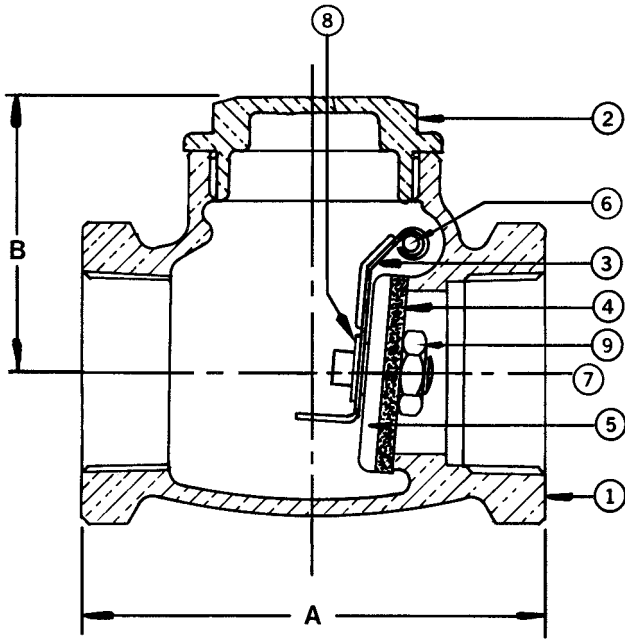
* Ultra Press Valves are designed and qualified for use in copper tubing systems only, Types K, L, & M per ASTM B88. For installation instructions please see engineering section on website.

DIMENSIONS - INCHES/MILLIMETERS					
Units	Size	A	B	C	D
Inches	1/2	3.35	1.38	1.7	0.83
mm		85	35	43	21
Inches	3/4	3.74	1.43	1.75	0.99
mm		95	36	45	25
Inches	1	4.36	1.74	2.38	0.99
mm		111	44	61	25
Inches	1 1/4	4.97	1.99	2.92	1.02
mm		126	51	74	26
Inches	1 1/2	6.13	2.28	3.3	1.42
mm		156	58	84	36
Inches	2	7.16	2.48	3.99	1.59
mm		182	63	101	40

The information presented on this sheet is correct at the time of publication. Hammond Valve reserves the right to change design, and/or material specifications without notice. For the Installation, Operation and Maintenance Manual (IOM) see the Technical/Service Information section on our website. For the most current information access www.hammondvalve.com Hammond Valve is a registered trade mark of Milwaukee Valve Company.

IB904/IB940 1/4"-3"

Bronze Check Valve
125 SWP - 200 WOG †
Horizontal Swing • Threaded Ends
Conforms to: MSS SP-80



DIMENSIONS - INCHES/MILLIMETERS				
Units	Size	A	B	C _v
Inches mm	1/4	2.13 54	1.44 37	3.3
Inches mm	3/8	2.13 54	1.44 37	6.0
Inches mm	1/2	2.31 59	1.44 37	10.0
Inches mm	3/4	2.63 67	1.69 43	18.0
Inches mm	1	3.25 83	2.00 51	31.0
Inches mm	1 1/4	3.56 91	2.13 54	54.0
Inches mm	1 1/2	4.00 102	2.38 60	76.0
Inches mm	2	4.75 130	2.81 208	131.0
Inches mm	*2 1/2	6.00 152	3.63 92	192.0
Inches mm	*3	6.88 175	4.19 106	297.0

† Non-Shock

MATERIAL LIST			
No.	PART	MATERIAL	SPECIFICATION
1	Body	Bronze	ASTM B62
2	Cap	Bronze	ASTM B62
3	Lever	St. Steel-IB904	Commercial 1/2" to 2" Incl.
		Bronze-IB904	ASTM B584 2 1/2" and 3"
		Brass-IB940	ASTM B16 1/4" to 2" Incl.
4	Disc	Brass-IB904	ASTM B16 1/4" to 3/4"
			ASTM B453 1" to 1 1/2"
		Bronze-IB940	ASTM B62 2" to 3"
		PTFE-IB940	Commercial
5	Disc Holder (509T Only)	Brass	ASTM B16 1/2" to 3/4"
		Bronze	ASTM B62 1" to 3"
6	Pin	St. Steel	Commercial
7	Disc Nut	Brass	ASTM B16
8	Retaining Ring	St. Steel	Commercial
9	Plug (not shown)	Brass	ASTM B16
10	Washer (not shown)	Brass	ASTM B16

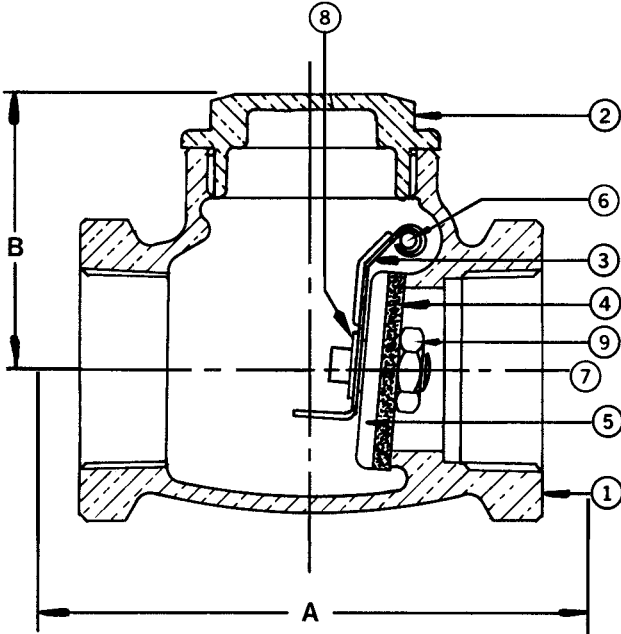
Note: Not intended for use in potable water.

The information presented on this sheet is correct at the time of publication. Hammond Valve reserves the right to change design, and/or material specifications without notice. For the Installation, Operation and Maintenance Manual (IOM) see the Technical/Service Information section on our website. For the most current information access www.hammondvalve.com
 Hammond Valve is a registered trade mark of Milwaukee Valve Company.

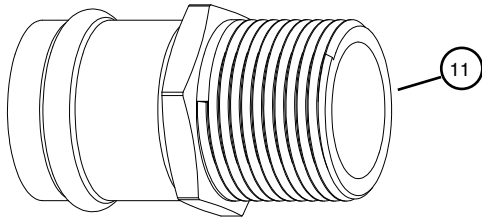
IB904/IB940 P2 1/2"-2"

ULTRAPRESS

Bronze Check Valve
200 psig @ 250°F †
Horizontal Swing • Press Ends
Conforms to: MSS SP-80



With Press Ends



Press End Adapter (4151 Series)

Note: Not intended for use in potable water.

MATERIAL LIST			
No.	PART	MATERIAL	SPECIFICATION
1	Body	Bronze	ASTM B62
2	Cap	Bronze	ASTM B62
3	Lever	Stainless Steel IB904 P2	Commercial 1/2" to 2" Incl.
		Brass IB940 P2	ASTM B 16 1/2" to 2"
4	Disc	IB904 P2	ASTM B 16 1/4" to 2" Incl. ASTM B 453 1" to 1 1/2"
		IB940 P2	Commercial
5	Disc Holder (509T Only)	Brass	ASTM B16 1/4" to 3/4"
		Bronze	ASTM B62 1" to 3"
6	Pin	St. Steel	Commercial
7	Disc Nut	Brass	ASTM B16
8	Retaining Ring	St. Steel	Commercial
9	Plug (not shown)	Brass	ASTM B16
10	Washer (not shown)	Brass	ASTM B16

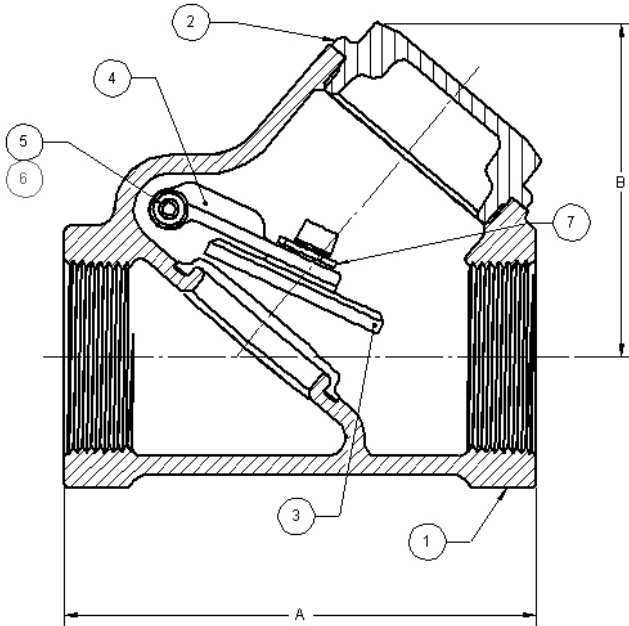
DIMENSIONS - INCHES/MILLIMETERS					
Units	Size	STD Insertion Depth	A	B	C _v
Inches mm	1/2	0.87 22	5.31 135	1.44 37	10.0
Inches mm	3/4	0.98 166	6.21 158	1.69 43	18.0
Inches mm	1	0.98 166	7.25 184	2.00 51	31.0
Inches mm	1 1/4	1.02 26	7.63 194	2.13 54	54.00
Inches mm	1 1/2	1.42 36	8.48 215	2.38 60	76.00
Inches mm	2 51	1.58 40	10.75 273	2.81 208	131.00

† Non-Shock

The information presented on this sheet is correct at the time of publication. Hammond Valve reserves the right to change design, and/or material specifications without notice. For the Installation, Operation and Maintenance Manual (IOM) see the Technical/Service Information section on our website. For the most current information access www.hammondvalve.com Hammond Valve is a registered trade mark of Milwaukee Valve Company.

509Y 1/4"-3"

Bronze Check Valve
125 SWP - 200 WOG †
Horizontal Swing • Threaded Ends
Y-Pattern
Conforms to: MSS SP-80



Note: Not intended for use in potable water.

MATERIAL LIST			
No.	PART	MATERIAL	SPECIFICATION
1	Body	Cast Bronze	ASTM B62
2	Cap	Brass (1/4"-3/8") Cast Bronze (1/2" and Larger)	ASTM B16 ASTM B62
3	Disc	Bronze (1/4"-3/8") Brass (1/2"- 1-1/2") Cast Bronze (2"-3")	ASTM B505 ASTM B453 ASTM B62
4	Lever	Silicon Bronze	ASTM B584
5	Pin	St. Steel	TYPE 303
6	Plug (not shown)	Brass	ASTM B16
7	Ring	St. Steel	TYPE 304

DIMENSIONS - INCHES/MILLIMETERS				
Units	Size	A	B	C _v
Inches mm	1/4	2.25 57	1.63 41	2.3
Inches mm	3/8	2.25 57	1.63 41	4.3
Inches mm	1/2	2.63 67	1.75 45	7.2
Inches mm	3/4	3.00 76	1.94 49	13.0
Inches mm	1	3.69 94	2.50 64	22.0
Inches mm	1 1/4	4.38 111	3.00 76	39.0
Inches mm	1 1/2	4.63 130	3.31 84	56.0
Inches mm	2	5.88 149	4.00 102	92.0
Inches mm	2 1/2	7.00 178	4.75 121	150.0
Inches mm	3	7.88 200	5.00 127	240.0

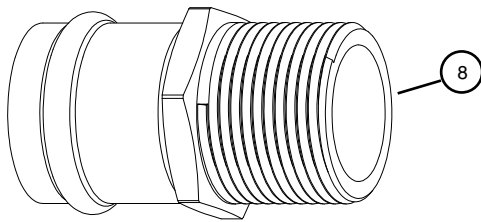
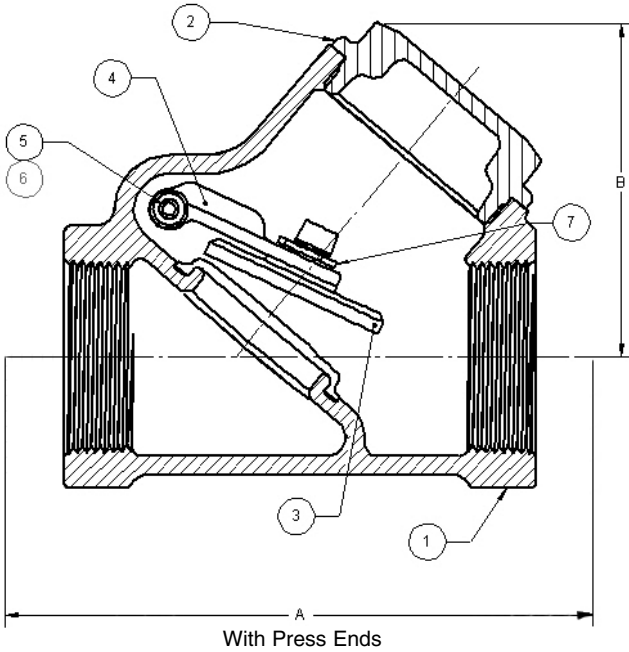
† Non-Shock

The information presented on this sheet is correct at the time of publication. Hammond Valve reserves the right to change design, and/or material specifications without notice. For the Installation, Operation and Maintenance Manual (IOM) see the Technical/Service Information section on our website. For the most current information access www.hammondvalve.com Hammond Valve is a registered trade mark of Milwaukee Valve Company.

509Y P2 1/2"-2"

ULTRAPRESS

Bronze Check Valve
200 psig @ 250°F †
Horizontal Swing • Press Ends
Y-Pattern
Conforms to: MSS SP-80



Press End Adapter (4151 Series)

Note: Not intended for use in potable water.

MATERIAL LIST			
No.	PART	MATERIAL	SPECIFICATION
1	Body	Cast Bronze	ASTM B62
2	Cap	Cast Bronze (1/2" and Larger)	ASTM B62
3	Disc	Brass (1/2"- 1-1/2") Cast Bronze (2")	ASTM B453 ASTM B62
4	Lever	Silicon Bronze	ASTM B584
5	Pin	St. Steel	TYPE 303
6	Plug (not shown)	Brass	ASTM B16
7	Ring	St. Steel	TYPE 304
8	Press Adapters	Brass Fitting W/EPDM O-Ring	ASTM C27450

DIMENSIONS - INCHES/MILLIMETERS					
Units	Size	STD Insertion Depth	A	B	C _v
Inches mm	1/2	0.87 22	5.63 143	1.75 45	7.2
Inches mm	3/4	0.98 166	6.58 167	1.94 49	13.0
Inches mm	1	0.98 166	7.69 195	2.50 64	22.0
Inches mm	1 1/4	1.02 26	8.45 215	3.00 76	39.00
Inches mm	1 1/2	1.42 36	9.11 231	3.31 84	56.00
Inches mm	2 51	1.58 40	11.88 302	4.00 101	92.00

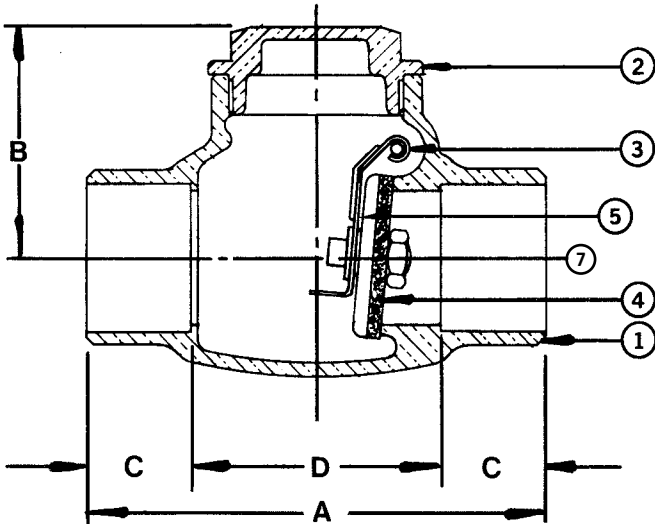
† Non-Shock

The information presented on this sheet is correct at the time of publication. Hammond Valve reserves the right to change design, and/or material specifications without notice. For the Installation, Operation and Maintenance Manual (IOM) see the Technical/Service Information section on our website. For the most current information access www.hammondvalve.com Hammond Valve is a registered trade mark of Milwaukee Valve Company.

IB912 3/8"-3"

Bronze Check Valve
125 SWP - 200 WOG †
Bronze Disc
Horizontal Swing • Solder Ends
Conforms to: MSS SP-80

MATERIAL LIST			
No.	PART	MATERIAL	SPECIFICATION
1	Body	Bronze	ASTM B62
2	Cap	Bronze	ASTM B62
3	Lever	St. Steel	Commercial
4	Disc	Brass	ASTM B16 1/4" to 3/4"
			ASTM B453 1" to 1 1/2"
		Bronze	ASTM B62 2" to 3"
5	Pin	St. Steel	Commercial
6	Plug (not shown)	Brass	ASTM B16
7	Retaining Ring	St. Steel	Commercial



Note: Not intended for use in potable water.

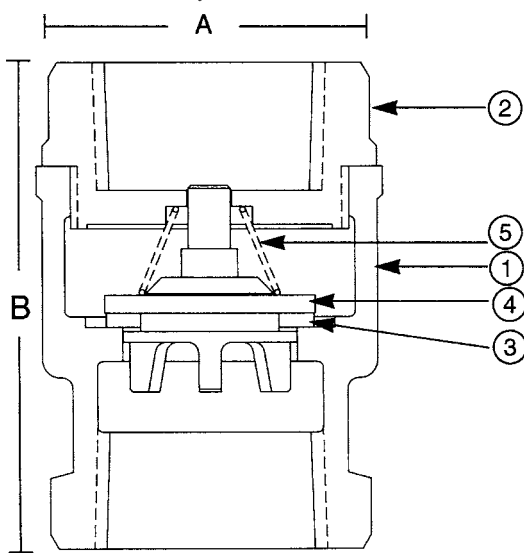
DIMENSIONS - INCHES/MILLIMETERS						
Units	Size	A	B	C	D	C _v
Inches	3/8	2.25	1.44	0.38	1.50	6.0
mm		57	37	10	38.1	
Inches	1/2	2.56	1.44	0.50	1.56	10.0
mm		65	37	13	40	
Inches	3/4	3.31	1.69	0.75	1.75	18.0
mm		84	43	19	45	
Inches	1	4.00	1.97	0.91	2.19	31.0
mm		102	50	23	56	
Inches	1 1/4	4.25	2.16	0.97	2.31	54.0
mm		108	55	25	59	
Inches	1 1/2	4.94	2.41	1.09	2.75	76.0
mm		125	61	28	70	
Inches	2	6.13	2.81	1.34	3.44	131.0
mm		156	72	34	87	
Inches	2 1/2	7.38	3.63	1.47	4.44	233.8
mm		187	92	37	123	
Inches	3	8.50	4.81	1.66	5.19	286.4
mm		216	106	42	132	

† Non-Shock

The information presented on this sheet is correct at the time of publication. Hammond Valve reserves the right to change design, and/or material specifications without notice. For the Installation, Operation and Maintenance Manual (IOM) see the Technical/Service Information section on our website. For the most current information access www.hammondvalve.com
 Hammond Valve is a registered trade mark of Milwaukee Valve Company.

943 3/8"-2"

Bronze Lift Check Valve
250 WOG †
Spring Loaded • Threaded Ends



Do not use for reciprocating air compressor service.

Note 1: Not intended for use in potable water.

Note 2: Check Valves may be installed in both the horizontal and vertical lines with upward flow or in any intermediate position.

MATERIAL LIST			
No.	PART	MATERIAL	SPECIFICATION
1	Body	Cast Bronze	ASTM B584, C84400
2	Tail Piece	Cast Bronze	ASTM B584, C84400
3	Disc	Buna	
4	Disc Holder	Cast Bronze	ASTM B584, C85700
5	Spring	Bronze	ASTM B103, C52100

DIMENSIONS - INCHES/MILLIMETERS					
Units	Size	A	B	Weight	C _v
Inches mm	3/8	1.22 31	1.97 50	0.35	2.5
Inches mm	1/2	1.22 31	2.09 53.2	0.44	4.1
Inches mm	3/4	1.50 38	2.31 59	0.57	7.6
Inches mm	1	1.91 48	2.66 68	0.89	13.0
Inches mm	1 1/4	2.16 55	3.09 79	1.28	23.0
Inches mm	1 1/2	2.59 66	3.31 84	1.72	31.0
Inches mm	2	3.13 51	3.78 96	2.58	54.0

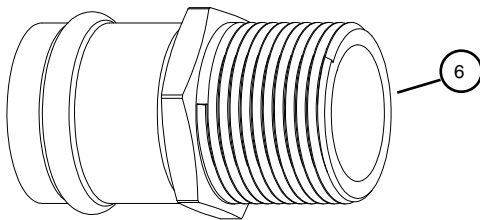
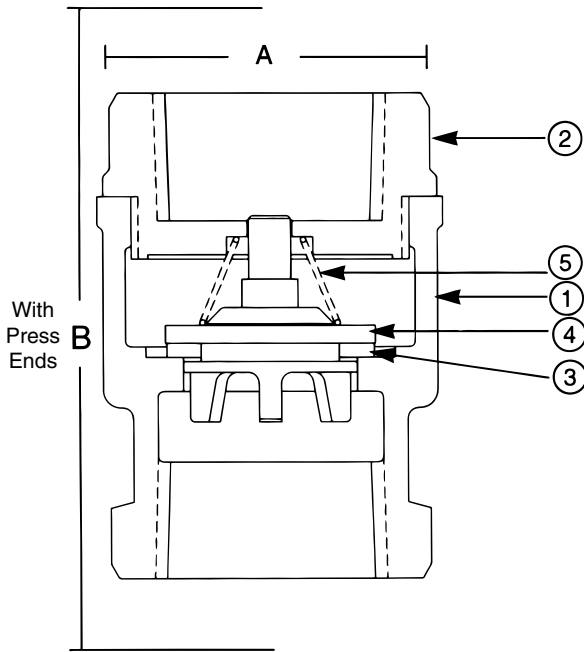
† Non-Shock

The information presented on this sheet is correct at the time of publication. Hammond Valve reserves the right to change design, and/or material specifications without notice. For the Installation, Operation and Maintenance Manual (IOM) see the Technical/Service Information section on our website. For the most current information access www.hammondvalve.com Hammond Valve is a registered trade mark of Milwaukee Valve Company.

943 P2 1/2"-2"

ULTRAPRESS

Bronze Lift Check Valve
200 psig @ 250°F †
Spring Loaded • Press Ends



Press End Adapter (4151 Series)

Do not use for reciprocating air compressor service.

Note 1: Not intended for use in potable water.

Note 2: Check Valves may be installed in both the horizontal and vertical lines with upward flow or in any intermediate position.

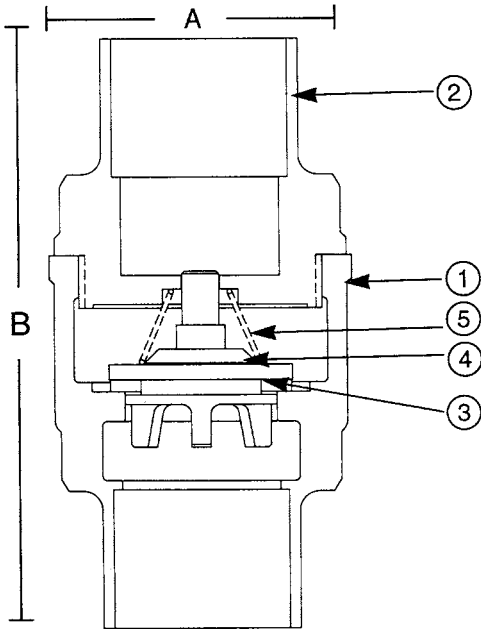
MATERIAL LIST			
No.	PART	MATERIAL	SPECIFICATION
1	Body	Cast Bronze	ASTM B584, C84400
2	Tail Piece	Cast Bronze	ASTM B584, C84400
3	Disc	Buna	Commercial
4	Disc Holder	Cast Bronze	ASTM B584, C85700
5	Spring	Bronze	ASTM B103, C52100
6	Press Adapter	Brass Fitting W/EPDM O-Ring	ASTM C27450

DIMENSIONS - INCHES/MILLIMETERS						
Units	Size	STD Insertion Depth	A	B	Weight	C _v
Inches mm	1/2	0.87 22	1.22 31	4.22 107	0.44	4.1
Inches mm	3/4	0.98 166	1.50 38	5.08 129	0.57	7.6
Inches mm	1	0.98 166	1.91 48	5.91 150	0.89	13.0
Inches mm	1 1/4	1.02 26	2.16 55	6.23 158	1.28	23.0
Inches mm	1 1/2	1.42 36	2.59 66	7.07 180	1.72	31.0
Inches mm	2	1.58 40	3.13 79	9.13 232	2.58	54.0

The information presented on this sheet is correct at the time of publication. Hammond Valve reserves the right to change design, and/or material specifications without notice. For the Installation, Operation and Maintenance Manual (IOM) see the Technical/Service Information section on our website. For the most current information access www.hammondvalve.com
 Hammond Valve is a registered trade mark of Milwaukee Valve Company.

947 3/8"-2"

Bronze Lift Check Valve
250 WOG †
Spring Loaded • Solder Ends
Buna (B) or TFE (T)



MATERIAL LIST			
No.	PART	MATERIAL	SPECIFICATION
1	Body	Cast Bronze	ASTM B584, C84400
2	Tail Piece	Cast Bronze	ASTM B584, C84400
3	Disc	BUNA	
4	Disc Holder	Cast Bronze	ASTM B584, C85700
5	Spring	Bronze	ASTM B103, C52100

Do not use for reciprocating air compressor service.

Note 1: Not intended for use in potable water.

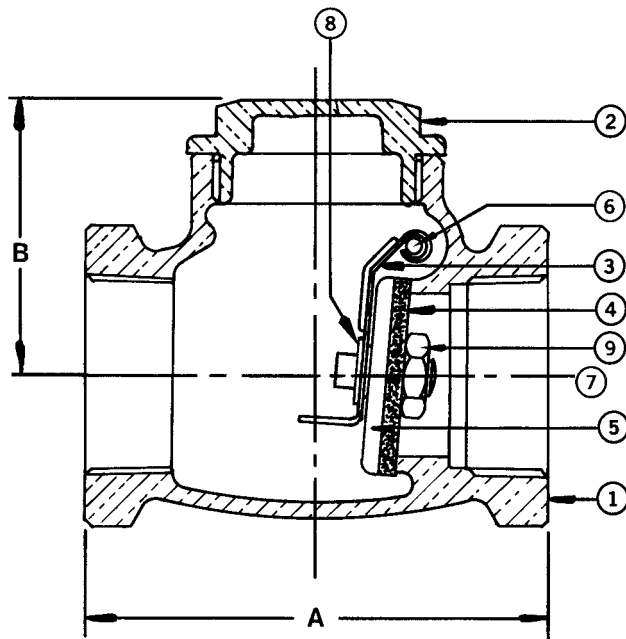
Note 2: Check Valves may be installed in both the horizontal and vertical lines with upward flow or in any intermediate position.

DIMENSIONS - INCHES/MILLIMETERS					
Units	Size	A	B	Weight	C _v
Inches mm	3/8	1.22 31	1.97 50	0.35	2.5
Inches mm	1/2	1.22 31	2.41 61	0.45	4.1
Inches mm	3/4	1.50 38	2.81 71	0.62	7.6
Inches mm	1	1.91 48	3.53 90	0.97	13.0
Inches mm	1 1/4	2.16 55	4.22 107	1.42	23.0
Inches mm	1 1/2	2.59 66	4.88 124	1.84	31.0
Inches mm	2	3.13 79	5.09 129	2.75	54.0

The information presented on this sheet is correct at the time of publication. Hammond Valve reserves the right to change design, and/or material specifications without notice. For the Installation, Operation and Maintenance Manual (IOM) see the Technical/Service Information section on our website. For the most current information access www.hammondvalve.com Hammond Valve is a registered trade mark of Milwaukee Valve Company.

IB946 1/4"-2"

Bronze Check Valve
150 SWP - 300 WOG †
Horizontal Swing • Threaded Ends
Bronze Seat • TFE Disc
Conforms to: MSS SP-80



Note: Not intended for use in potable water.

MATERIAL LIST			
No.	PART	MATERIAL	SPECIFICATION
1	Body	Bronze	ASTM B62
2	Cap	Bronze	ASTM B62
3	Lever	Brass	Commercial
4	Disc	TFE	
5	Disc Holder	Brass	ASTM B16 1/4" to 3/4" Incl.
		Bronze	ASTM B62 1" to 2" Incl.
6	Pin	St. Steel	Commercial
7	Plug (not shown)	Brass	ASTM B16
8	Retaining Ring	St. Steel	Commercial
9	Disc Nut	Brass	Commercial

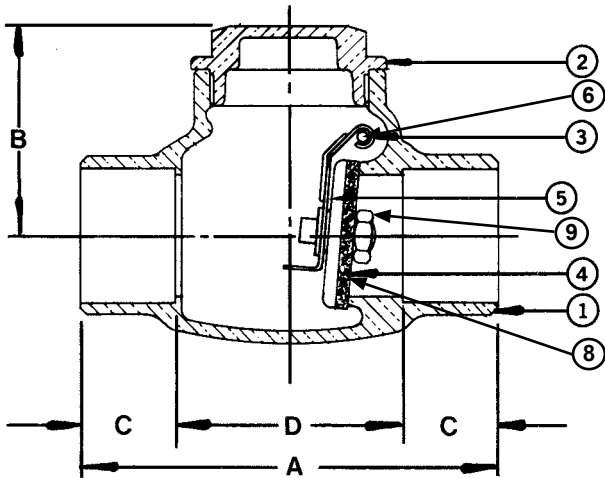
DIMENSIONS - INCHES/MILLIMETERS				
Units	Size	A	B	C _v
Inches mm	1/4	2.13 54	1.44 37	3.3
Inches mm	3/8	2.13 54	1.44 37	6.0
Inches mm	1/2	2.31 59	1.44 37	10.0
Inches mm	3/4	2.63 67	1.69 43	18.0
Inches mm	1	3.25 83	2.00 51	31.0
Inches mm	1 1/4	3.56 91	2.13 54	54.0
Inches mm	1 1/2	4.00 102	2.38 60	76.0
Inches mm	2	4.75 130	2.81 208	131.0

† Non-Shock

The information presented on this sheet is correct at the time of publication. Hammond Valve reserves the right to change design, and/or material specifications without notice. For the Installation, Operation and Maintenance Manual (IOM) see the Technical/Service Information section on our website. For the most current information access www.hammondvalve.com Hammond Valve is a registered trade mark of Milwaukee Valve Company.

IB945 1/2"-2"

Bronze Check Valve
150 SWP - 300 WOG †
Horizontal Swing • Solder Ends
TFE Disc
Conforms to: MSS SP-80



Note: Not intended for use in potable water.

MATERIAL LIST			
No.	PART	MATERIAL	SPECIFICATION
1	Body	Bronze	ASTM B62
2	Cap	Bronze	ASTM B62
3	Lever	Brass	Commercial
4	Disc	Teflon	
5	Disc Holder	Brass	ASTM B16 3/8" to 3/4" Incl.
		Bronze	ASTM B62 1" to 2" Incl.
6	Pin	St. Steel	Commercial
7	Plug (not shown)	Brass	ASTM B16
8	Retaining Ring	St. Steel	Commercial
9	Disc Nut	Brass	Commercial

DIMENSIONS - INCHES/MILLIMETERS					
Units	Size	A	B	C	C _v
Inches mm	1/2	2.56 65	1.44 37	0.50 13	6.0
Inches mm	3/4	3.31 84	1.69 43	0.75 19	10.0
Inches mm	1	4.00 102	1.97 50	0.91 23	18.0
Inches mm	1 1/4	4.25 108	2.16 55	0.97 25	31.0
Inches mm	1 1/2	4.94 125	2.41 61	1.09 28	54.0
Inches mm	2	6.13 130	2.81 208	1.34 208	76.0

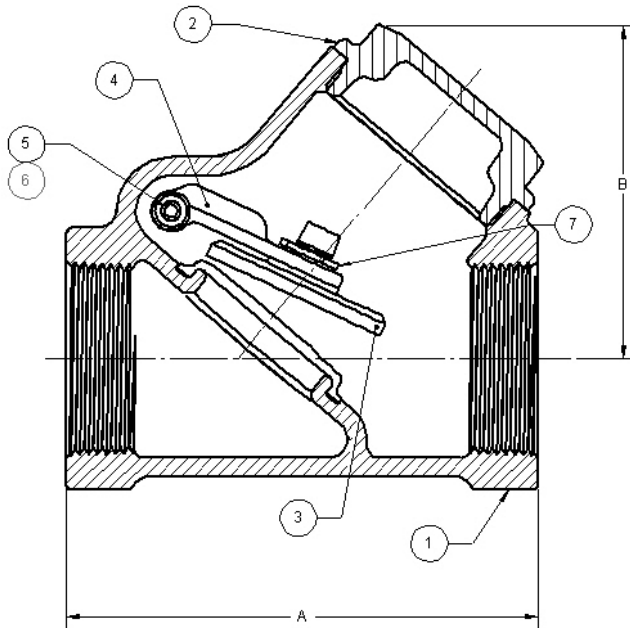
† Non-Shock

The information presented on this sheet is correct at the time of publication. Hammond Valve reserves the right to change design, and/or material specifications without notice. For the Installation, Operation and Maintenance Manual (IOM) see the Technical/Service Information section on our website. For the most current information access www.hammondvalve.com Hammond Valve is a registered trade mark of Milwaukee Valve Company.

515Y 1/4"-3"

Bronze Check Valve
150 SWP - 300 WOG †
Horizontal Swing • Threaded Ends
Y-Pattern • Bronze Disc
Conforms to: MSS SP-80

MATERIAL LIST			
No.	PART	MATERIAL	SPECIFICATION
1	Body	Cast Bronze	ASTM B62
2	Cap	Brass (1/4" - 3/8") Cast Bronze (1/2" and Larger)	ASTM B16 ASTM B62
3	Disc	Bronze (1/4" - 3/8") Brass (1/2" - 1 1/2") Cast Bronze (2"-3")	ASTM B505 ASTM B453 ASTM B62
4	Lever	Silicon Bronze	ASTM B584
5	Pin	St. Steel	TYPE 303
6	Plug (not shown)	Brass	ASTM B16
7	Ring	St. Steel	TYPE 304



Note: Not intended for use in potable water.

DIMENSIONS - INCHES/MILLIMETERS				
Units	Size	A	B	C _v
Inches mm	1/4	2.25 57	1.63 41	2.3
Inches mm	3/8	2.25 57	1.63 41	4.3
Inches mm	1/2	2.63 67	1.75 45	7.2
Inches mm	3/4	3.00 76	1.94 49	13.0
Inches mm	1	3.69 94	2.50 64	22.0
Inches mm	1 1/4	4.38 111	3.00 76	39.0
Inches mm	1 1/2	4.63 130	3.31 84	56.0
Inches mm	2	5.88 149	4.00 102	92.0
Inches mm	2 1/2	7.00 178	4.75 121	150.0
Inches mm	3	7.88 200	5.00 127	240.0

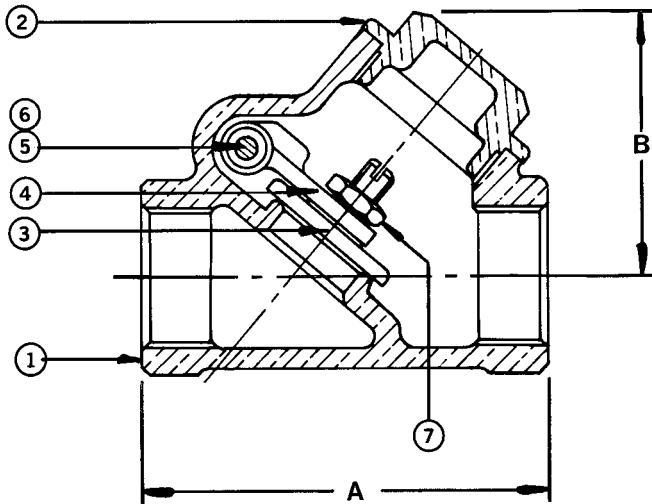
† Non-Shock

The information presented on this sheet is correct at the time of publication. Hammond Valve reserves the right to change design, and/or material specifications without notice. For the Installation, Operation and Maintenance Manual (IOM) see the Technical/Service Information section on our website. For the most current information access www.hammondvalve.com Hammond Valve is a registered trade mark of Milwaukee Valve Company.

IB944 1/4"-3"

Bronze Check Valve
200 SWP - 400 WOG †
Horizontal Swing • Threaded Ends
Y-Pattern
Conforms to: MSS SP-80

MATERIAL LIST			
No.	PART	MATERIAL	SPECIFICATION
1	Body	Cast Bronze	ASTM B61
2	Cap	Cast Bronze	ASTM B61
3	Disc	Cast Bronze	ASTM B61
4	Lever	Cast Bronze	ASTM B61
5	Pin	St. Steel	Commercial
6	Plug (not shown)	Rod Brass	ASTM B16
7	Retaining Ring	St. Steel	ASTM A276 TY.304



Note: Not intended for use in potable water.

DIMENSIONS - INCHES/MILLIMETERS				
Units	Size	A	B	C _v
Inches mm	1/4	2.25 57	1.63 41	2.3
Inches mm	3/8	2.25 57	1.63 41	4.3
Inches mm	1/2	2.63 67	1.75 44	7.2
Inches mm	3/4	3.00 76	1.94 49	13.0
Inches mm	1	3.69 93.68	2.50 63.50	22.0
Inches mm	1 1/4	4.38 111	3.00 76	39.0
Inches mm	1 1/2	4.63 130	3.31 64	56.0
Inches mm	2	5.88 149	4.00 102	92.0
Inches mm	2 1/2	7.00 178	4.75 121	150.0
Inches mm	3	7.88 200	5.00 127	240.0

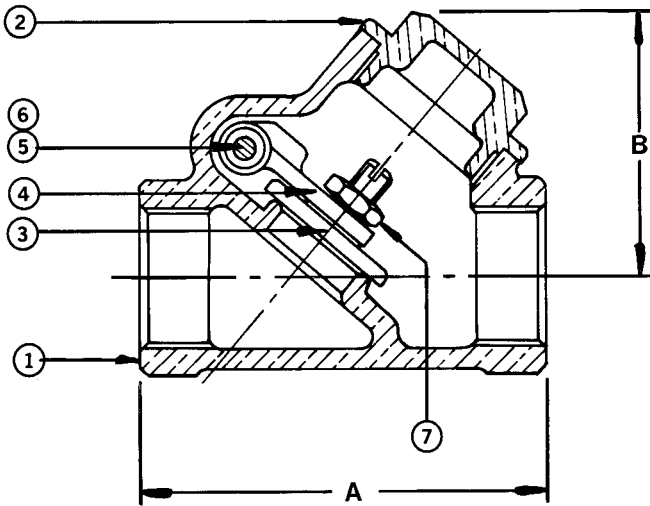
† Non-Shock

The information presented on this sheet is correct at the time of publication. Hammond Valve reserves the right to change design, and/or material specifications without notice. For the Installation, Operation and Maintenance Manual (IOM) see the Technical/Service Information section on our website. For the most current information access www.hammondvalve.com Hammond Valve is a registered trade mark of Milwaukee Valve Company.

IB949 1/4"-3"

Bronze Check Valve
300 SWP - 600 WOG †
Horizontal Swing • Threaded Ends
Y-Pattern
Conforms to: MSS SP-80

MATERIAL LIST			
No.	PART	MATERIAL	SPECIFICATION
1	Body	Cast Bronze	ASTM B61
2	Cap	Cast Bronze	ASTM B61
3	Disc	Cast Bronze	ASTM B61
4	Lever	Cast Bronze	ASTM B61
5	Pin	St. Steel	Commercial
6	Plug	Rod Brass	ASTM B16
7	Retaining Ring	St. Steel	ASTM A276 TY.304



Note: Not intended for use in potable water.

DIMENSIONS - INCHES/MILLIMETERS				
Units	Size	A	B	C _v
Inches mm	1/4	2.25 57	1.63 41	2.3
Inches mm	3/8	2.25 57	1.63 41	4.3
Inches mm	1/2	2.63 67	1.75 44	7.2
Inches mm	3/4	3.00 76	1.94 49	13.0
Inches mm	1	3.69 94	2.50 64	22.0
Inches mm	1 1/4	4.38 111	3.00 76	39.0
Inches mm	1 1/2	5 130	3.31 84	56.0
Inches mm	2	5.88 149	4.00 208	92.0
Inches mm	2 1/2	7.00 178	4.75 121	150.0
Inches mm	3	7.88 200	5.50 127	240.0

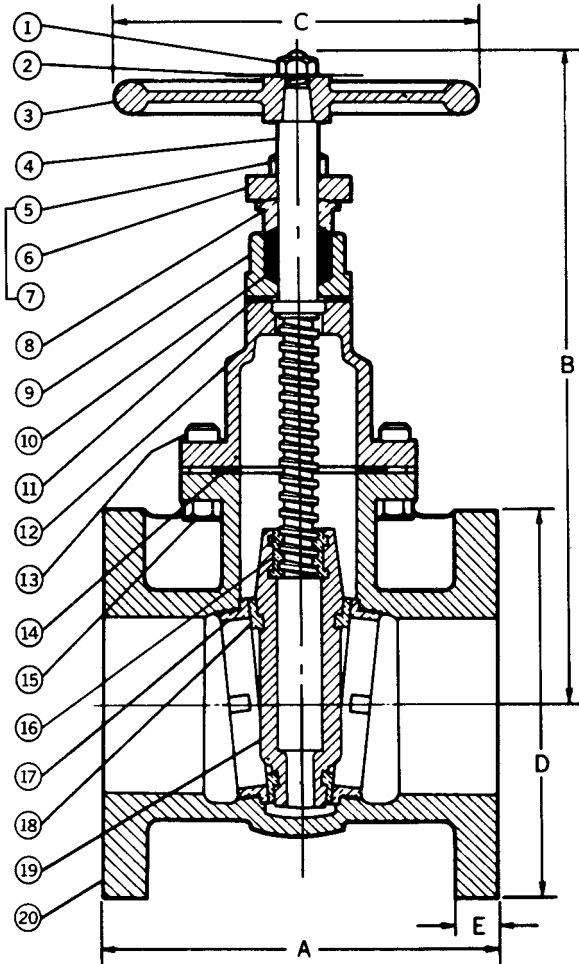
† Non-Shock

The information presented on this sheet is correct at the time of publication. Hammond Valve reserves the right to change design, and/or material specifications without notice. For the Installation, Operation and Maintenance Manual (IOM) see the Technical/Service Information section on our website. For the most current information access www.hammondvalve.com Hammond Valve is a registered trade mark of Milwaukee Valve Company.

IR1138 2"-12"

Iron Gate Valve
125 SWP - 200 WOG †
Non-Rising Stem • Solid Wedge Disc
Bolted Bonnet • Flanged Ends
Conforms to: MSS SP-70

Flange shape and drilling to specification ASME B 16.1 (125 lb.)



MATERIAL LIST			
No.	PART	MATERIAL	SPECIFICATION
1	Handwheel Nut	Steel	
2	Name Plate	Aluminum	
3	Handwheel	Cast Iron	ASTM A126, Class B
4	Stem	Brass	ASTM B16
5	Gland Follower Nut	Bronze	
6	Gland Follower	Cast Iron	ASTM A126, Class B
7	Gland Follower Bolt	Steel	
8	Packing Gland	Brass	ASTM B16
9	Stuffing Box	Cast Iron	ASTM A126, Class B
10	Packing	Graphite	
11	Stuffing Box Gasket	Graphite	
12	Bonnet	Cast Iron	ASTM A126, Class B
13	Body Bolt	Steel	
14	Body Gasket	Graphite	
15	Body Nut	Steel	
16	Wedge Bushing	Cast Bronze	ASTM B62
17	Seat Ring	Cast Bronze	ASTM B62
18	Wedge Face Ring	Cast Bronze	ASTM B62
19	Wedge	Cast Iron	ASTM A126, Class B
20	Body	Cast Iron	ASTM A126, Class B
21	Stuffing Box Nut (not shown)	Bronze	

¹ Sizes through 4" have bronze wedges. Sizes 5" through 12" made with cast iron wedge with bronze wedge face rings

DIMENSIONS - INCHES/MILLIMETERS							
Units	Size	A	B	C	D	E	C _v
Inches mm	2	7.00 178	12.00 305	7.00 178	6.00 152	0.63 16	215
Inches mm	2 1/2	7.50 191	13.25 337	7.00 178	7.00 178	0.69 17	335
Inches mm	3	8.00 203	13.50 343	8.00 203	7.50 191	0.75 19	510
Inches mm	4	9.00 229	17.00 432	10.00 254	9.00 229	0.94 24	945
Inches mm	5	10.00 254	18.00 457	12.00 305	10.00 254	0.94 24	1525
Inches mm	6	10.50 267	22.00 559	12.00 305	11.00 279	1.00 25	2250
Inches mm	8	11.50 292	26.50 673	14.00 356	13.50 343	1.13 29	4150
Inches mm	10	13.00 330	30.00 762	16.00 406	16.00 406	1.19 30	6700
Inches mm	12	14.00 356	35.00 889	18.00 457	19.00 483	1.25 32	9925

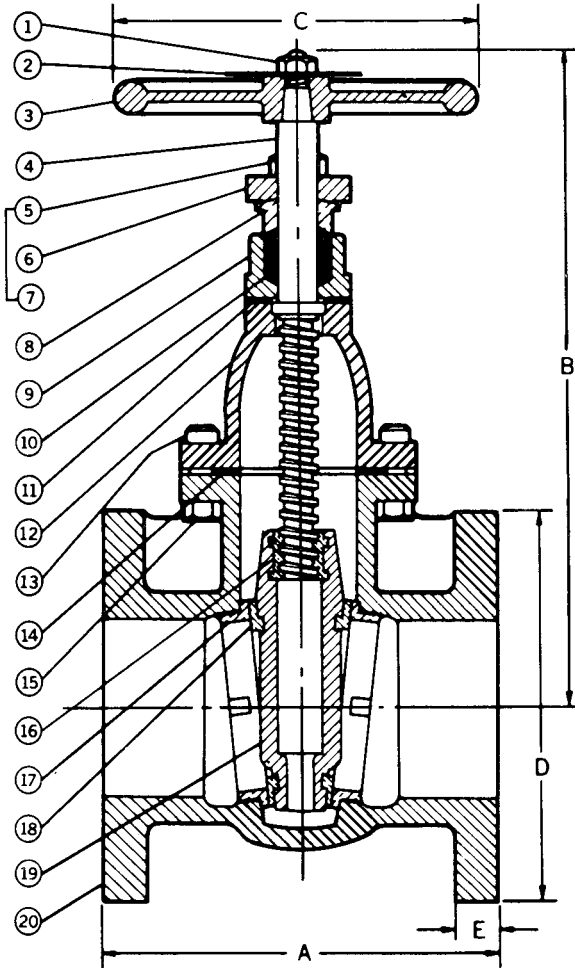
† Non-Shock

The information presented on this sheet is correct at the time of publication. Hammond Valve reserves the right to change design, and/or material specifications without notice. For the Installation, Operation and Maintenance Manual (IOM) see the Technical/Service Information section on our website. For the most current information access www.hammondvalve.com Hammond Valve is a registered trade mark of Milwaukee Valve Company.

IR1138-HI 2"-12"

Iron Gate Valve
125 SWP - 200 WOG †
Non-Rising Stem • Solid Wedge Disc
Bolted Bonnet • Flanged Ends
Conforms to: MSS SP-70

Flange shape and drilling to specification ASME B 16.1 (125 lb.)



MATERIAL LIST			
No.	PART	MATERIAL	SPECIFICATION
1	Handwheel Nut	Steel	ASTM A307
2	Name Plate	Aluminum	
3	Handwheel	Cast Iron	ASTM A126, Class B
4	Stem	Brass	ASTM B16
5	Gland Follower Nut	Steel	ASTM A307
6	Gland Follower	Ductile Iron	ASTM A536
7	Gland Follower Bolt	Steel	ASTM A307
8	Packing Gland	Cast Bronze	ASTM B62
9	Stuffing Box	Cast Iron	ASTM A126, Class B
10	Packing	Graphite	
11	Stuffing Box Gasket	Graphite	
12	Bonnet	Cast Iron	ASTM A126, Class B
13	Body Bolt	Steel	ASTM A307
14	Body Gasket	Graphite	
15	Body Nut	Steel	ASTM A307
16	Wedge Bushing	Bronze	ASTM B62
17	Seat Ring	Bronze	ASTM B62
18	Wedge Face Ring	Bronze	ASTM B62
19	Wedge	Cast Iron	ASTM A126, Class B
20	Body	Cast Iron	ASTM A126, Class B
21	Stuffing Box Nut (not shown)	Steel	ASTM A307

DIMENSIONS - INCHES/MILLIMETERS							
Units	Size	A	B	C	D	E	C _v
Inches mm	2	7.00 178	12.00 305	7.00 178	6.00 152	0.63 16	215
Inches mm	2 1/2	7.50 191	13.25 337	7.00 178	7.00 178	0.69 17	335
Inches mm	3	8.00 203	13.50 343	8.00 203	7.50 191	0.75 19	510
Inches mm	4	9.00 229	17.00 432	10.00 254	9.00 229	0.94 24	945
Inches mm	5	10.00 254	18.00 457	12.00 305	10.00 254	0.94 24	1525
Inches mm	6	10.50 267	22.00 559	12.00 305	11.00 279	1.00 25	2250
Inches mm	8	11.50 292	26.50 673	14.00 356	13.50 343	1.13 29	4150
Inches mm	10	13.00 330	30.00 762	16.00 406	16.00 406	1.19 30	6700
Inches mm	12	14.00 356	35.00 889	18.00 457	19.00 483	1.25 32	9925

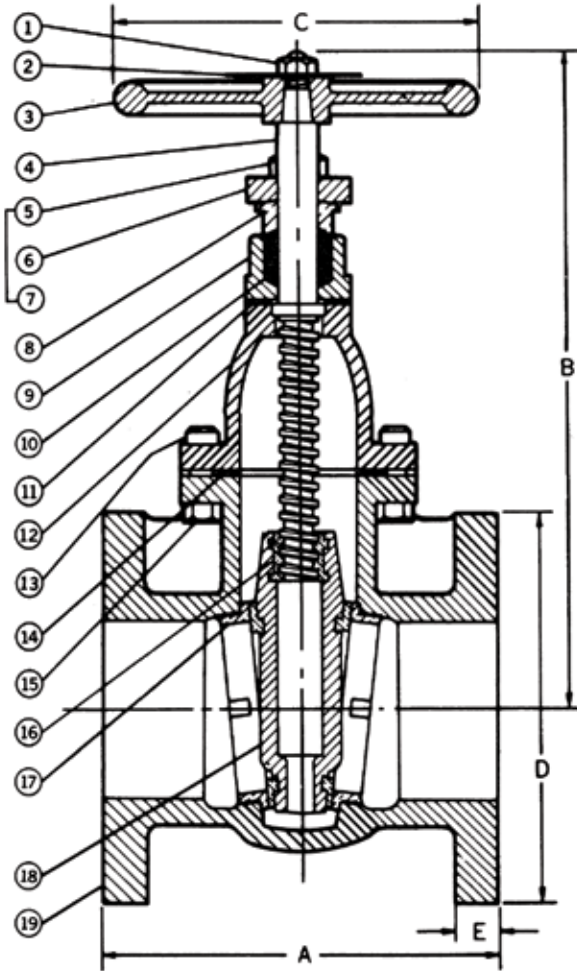
Suffix HI – Signifies International Valves.
 † Non-Shock

The information presented on this sheet is correct at the time of publication. Hammond Valve reserves the right to change design, and/or material specifications without notice. For the Installation, Operation and Maintenance Manual (IOM) see the Technical/Service Information section on our website. For the most current information access www.hammondvalve.com Hammond Valve is a registered trade mark of Milwaukee Valve Company.

IR1144-HI 2"-12"

Iron Gate Valve
125 SWP - 200 WOG †
Non-Rising Stem • Solid Wedge Disc
Bolted Bonnet • Flanged Ends
Conforms to: MSS SP-70

Flange shape and drilling to specification ASME B 16.1 (125 lb.)



MATERIAL LIST			
No.	PART	MATERIAL	SPECIFICATION
1	Handwheel Nut	Ductile Iron	ASTM A536
2	Name Plate	Aluminum	
3	Handwheel	Cast Iron	ASTM A126, Class B
4	Stem	Steel	ASTM A108-Gr.1020
5	Gland Follower Nut	Steel	ASTM A307
6	Gland Follower	Ductile Iron	ASTM A536
7	Gland Follower Bolt	Steel	ASTM A307-B
8	Packing Gland	Cast Iron	ASTM A126, Class B
9	Stuffing Box	Cast Iron	ASTM A126, Class B
10	Packing	Graphite	Graphite
11	Stuffing Box Gasket	Graphite	Graphite
12	Bonnet	Cast Iron	ASTM A126, Class B
13	Body Nut	Steel	ASTM A307-A
14	Body Gasket	Graphite	Graphite
15	Body Nut	Steel	ASTM A563-B
16	Wedge Bushing	Ductile Iron	ASTM A536
17	Seat Ring	Cast Iron	ASTM A126, Class B
18	Wedge	Cast Iron	ASTM A126, Class B
19	Body	Cast Iron	ASTM A126, Class B
20	Stuffing Box Nut (not shown)	Steel	ASTM A563-B

DIMENSIONS - INCHES/MILLIMETERS							
Units	Size	A	B	C	D	E	C _v
Inches mm	2	7.00 178	12.00 305	7.00 178	6.00 152	0.63 16	215
Inches mm	2 1/2	7.50 191	13.25 337	7.00 178	7.00 178	0.69 17	335
Inches mm	3	8.00 203	13.50 343	8.00 203	7.50 191	0.75 19	510
Inches mm	4	9.00 229	17.00 432	10.00 254	9.00 229	0.94 24	945
Inches mm	5	10.00 254	18.00 457	12.00 305	10.00 254	0.94 24	1525
Inches mm	6	10.50 267	22.00 559	12.00 305	11.00 279	1.00 25	2250
Inches mm	8	11.50 292	26.50 673	14.00 356	13.50 343	1.13 29	4150
Inches mm	10	13.00 330	30.00 762	16.00 406	16.00 406	1.19 30	6700
Inches mm	12	14.00 356	35.00 889	18.00 457	19.00 483	1.25 32	9925

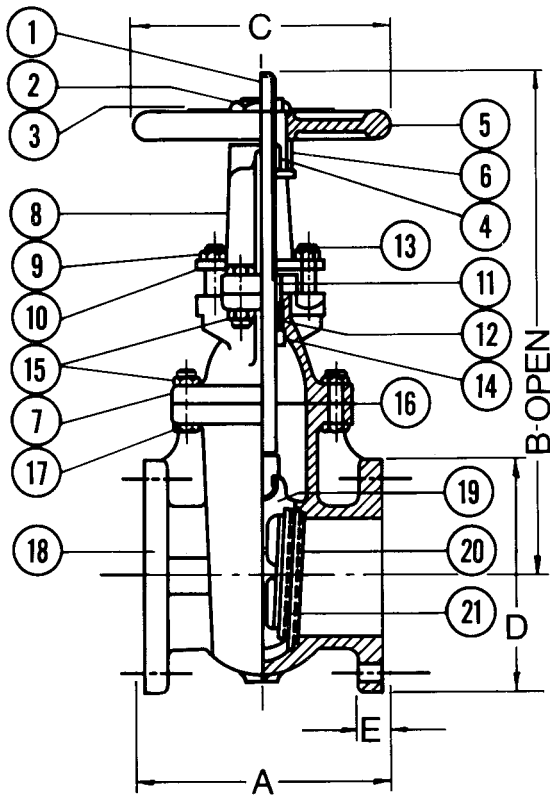
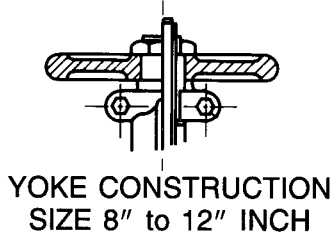
† Non-Shock

The information presented on this sheet is correct at the time of publication. Hammond Valve reserves the right to change design, and/or material specifications without notice. For the Installation, Operation and Maintenance Manual (IOM) see the Technical/Service Information section on our website. For the most current information access www.hammondvalve.com Hammond Valve is a registered trade mark of Milwaukee Valve Company.

IR1140 2"-12"

Iron Gate Valve
125 SWP - 200 WOG †
OS & Y • Solid Wedge Disc
Bolted Bonnet • Flanged Ends
Conforms to: MSS SP-70

Flange shape and drilling to specification ASME B 16.1 (125 lb.)



MATERIAL LIST			
No.	PART	MATERIAL	SPECIFICATION
1	Stem	Brass	ASTM B16
2	Handwheel Nut	Ductile Iron	
3	Name Plate	Aluminum	
4	Yoke Bushing	Cast Bronze	ASTM B62
5	Handwheel	Cast Iron	ASTM A126, Class B
6 ²	Yoke Bushing Nut	Cast Iron	ASTM A126, Class B
7 ¹	Bonnet	Cast Iron	ASTM A126, Class B
8 ¹	Yoke	Cast Iron	ASTM A126, Class B
9	Gland Follower Nut	Steel	ASTM A307-B
10	Gland Follower	Ductile Iron	ASTM A536
11	Packing Gland	Cast Bronze	ASTM B62
12	Packing	Graphite	
13	Gland Follower Bolt	Steel	ASTM A307-B
14	Backseat Bushing	Cast Bronze	ASTM B62
15	Nut	Steel	ASTM A307-B
16	Body Gasket	Graphite	
17	Bolt	Steel	ASTM A307-B
18	Body	Cast Iron	ASTM A126, Class B
19	Wedge	Cast Iron	ASTM A126, Class B
20	Seat Ring	Cast Bronze	ASTM B62
21	Wedge Face Ring	Cast Bronze	ASTM B62

¹ Sizes 2" to 3" made with yoke integral with bonnet.
 Sizes 4" through 12" made with separate yoke bolted to bonnet.
² Sizes 2" to 3" only

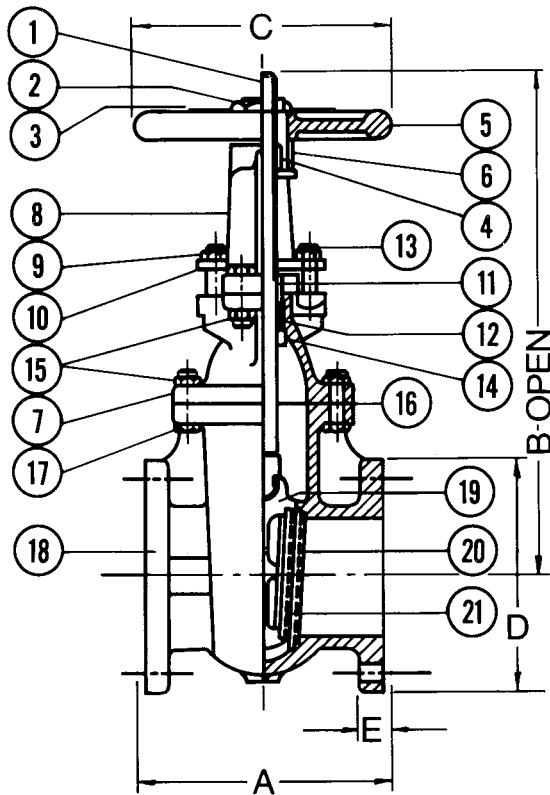
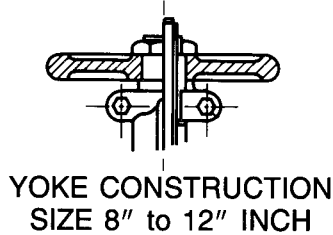
DIMENSIONS - INCHES/MILLIMETERS							
Units	Size	A	B	C	D	E	C _v
Inches	2	7.00	12.00	7.00	6.00	0.63	215
mm		178	305	178	152	16	
Inches	2 1/2	7.50	16.88	7.00	7.00	0.69	335
mm		191	429	178	178	17	
Inches	3	8.00	18.75	8.00	7.50	0.75	510
mm		203	476	203	191	19	
Inches	4	9.00	17.00	10.00	9.00	0.94	945
mm		229	432	254	229	24	
Inches	5	10.00	18.00	12.00	10.00	0.94	1525
mm		254	457	305	254	24	
Inches	6	10.50	30.13	12.00	11.00	1.00	2250
mm		267	765	305	279	25	
Inches	8	11.50	40.13	14.00	13.50	1.13	4150
mm		292	1019	356	343	29	
Inches	10	13.00	48.25	16.00	16.00	1.81	6700
mm		330	1226	406	406	46	
Inches	12	14.00	56.88	18.00	19.00	1.25	9925
mm		356	1445	457	483	32	

† Non-Shock

The information presented on this sheet is correct at the time of publication. Hammond Valve reserves the right to change design, and/or material specifications without notice. For the Installation, Operation and Maintenance Manual (IOM) see the Technical/Service Information section on our website. For the most current information access www.hammondvalve.com Hammond Valve is a registered trade mark of Milwaukee Valve Company.

IR1140-HI 2"-12"

Iron Gate Valve
125 SWP - 200 WOG †
OS & Y • Solid Wedge Disc
Bolted Bonnet • Flanged Ends
Conforms to: MSS SP-70



MATERIAL LIST			
No.	PART	MATERIAL	SPECIFICATION
1	Stem	Brass	ASTM B16
2	Handwheel Nut	Ductile Iron	
3	Name Plate	Aluminum	
4	Yoke Bushing	Cast Bronze	ASTM B62
5	Handwheel	Cast Iron	ASTM A126, Class B
6 ²	Yoke Bushing Nut	Cast Iron	ASTM A126, Class B
7 ¹	Bonnet	Cast Iron	ASTM A126, Class B
8 ¹	Yoke	Cast Iron	ASTM A126, Class B
9	Gland Follower Nut	Steel	ASTM A307-B
10	Gland Follower	Ductile Iron	ASTM A536
11	Packing Gland	Cast Bronze	ASTM B62
12	Packing	Graphite	
13	Gland Follower Bolt	Steel	ASTM A307-B
14	Backseat Bushing	Cast Bronze	ASTM B62
15	Nut	Steel	ASTM A307-B
16	Body Gasket	Graphite	
17	Bolt	Steel	ASTM A307-B
18	Body	Cast Iron	ASTM A126, Class B
19	Wedge	Cast Iron	ASTM A126, Class B
20	Seat Ring	Cast Bronze	ASTM B62
21	Wedge Face Ring	Cast Bronze	ASTM B62

¹ Sizes 2" to 3" made with yoke integral with bonnet.
 Sizes 4" through 12" made with separate yoke bolted to bonnet.
² Sizes 2" to 3" only

DIMENSIONS - INCHES/MILLIMETERS							
Units	Size	A	B	C	D	E	C _v
Inches mm	2	7.00 178	15.00 381	7.00 178	6.00 152	0.63 16	215
Inches mm	2 1/2	7.50 191	16.88 429	7.00 178	7.00 178	0.69 17	335
Inches mm	3	8.00 203	18.75 476	8.00 203	7.50 191	0.75 19	510
Inches mm	4	9.00 229	22.75 578	10.00 254	9.00 229	0.94 24	945
Inches mm	5	10.00 254	27.13 689	12.00 305	10.00 254	0.94 24	1525
Inches mm	6	10.50 267	30.13 765	12.00 305	11.00 279	1.00 25	2250
Inches mm	8	11.50 292	40.13 1019	14.00 356	13.50 343	1.13 29	4150
Inches mm	10	13.00 330	48.25 1226	16.00 406	16.00 406	1.81 46	6700
Inches mm	12	14.00 356	56.88 1445	18.00 457	19.00 483	1.25 32	9925

Suffix HI – Signifies International Valves.

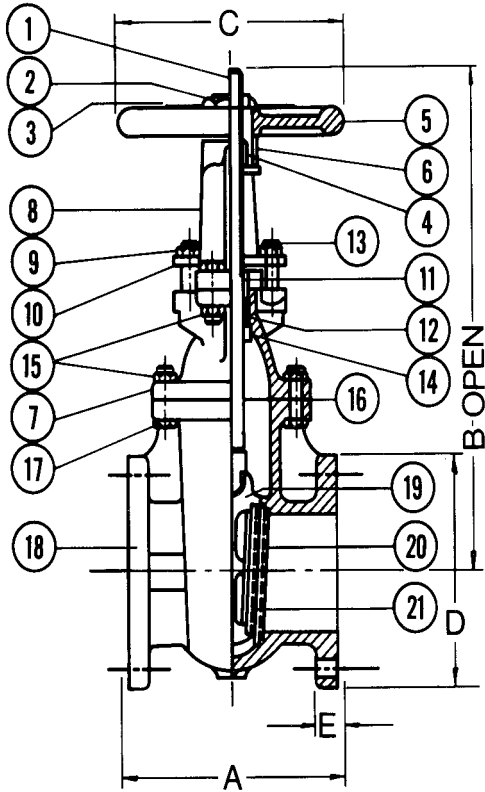
† Non-Shock

The information presented on this sheet is correct at the time of publication. Hammond Valve reserves the right to change design, and/or material specifications without notice. For the Installation, Operation and Maintenance Manual (IOM) see the Technical/Service Information section on our website. For the most current information access www.hammondvalve.com Hammond Valve is a registered trade mark of Milwaukee Valve Company.

IR1140-HI 14"-24"

Iron Gate Valve
100 SWP -150 WOG †
OS & Y • Solid Wedge Disc
Bolted Bonnet • Flanged Ends
Conforms to: MSS SP-70

Flange shape and drilling to specification ASME/ANSI B16.1 (125 lb.)



MATERIAL LIST			
No.	PART	MATERIAL	SPECIFICATION
1	Stem	Brass	ASTM B16
2	Handwheel Nut	Ductile Iron	
3	Name Plate	Aluminum	
4	Yoke Bushing	Cast Bronze	ASTM B62
5	Handwheel	Cast Iron	ASTM A126, Class B
6	Yoke Bushing Nut	Cast Iron	ASTM A126, Class B
7	Bonnet	Cast Iron	ASTM A126, Class B
8	Yoke	Cast Iron	ASTM A126, Class B
9	Gland Follower Nut	Steel	ASTM A307-B
10	Gland Follower	Ductile Iron	ASTM A536
11	Packing Gland	Cast Bronze	ASTM B62
12	Packing	Graphite	
13	Gland Follower Bolt	Steel	ASTM A307-B
14	Backseat Bushing	Cast Bronze	ASTM B62
15	Nut	Steel	ASTM A307-B
16	Body Gasket	Graphite	
17	Bolt	Steel	ASTM A307-B
18	Body	Cast Iron	ASTM A126, Class B
19	Wedge	Cast Iron	ASTM A126, Class B
20	Seat Ring	Cast Bronze	ASTM B62
21	Wedge Face Ring	Cast Bronze	ASTM B62

DIMENSIONS - INCHES/MILLIMETERS							
Units	Size	A	B	C	D	E	C _v
Inches	14.00	15.00	62.00	20.00	21.00	1.38	13800
mm		381	1575	508	533	35	
Inches	16.00	16.00	71.00	22.00	23.50	1.44	18375
mm		406	1803	559	570	37	
Inches	18.00	17.00	75.00	24.00	25.00	1.56	23600
mm		432	1905	610	635	40	
Inches	20.00	18.00	87.00	24.00	28.00	1.69	29600
mm		457	2210	610	699	43	
Inches	24.00	20.00	100.00	30.00	32.00	1.88	43570
mm		508	2540	762	813	48	

Suffix HI – Signifies International Valves.

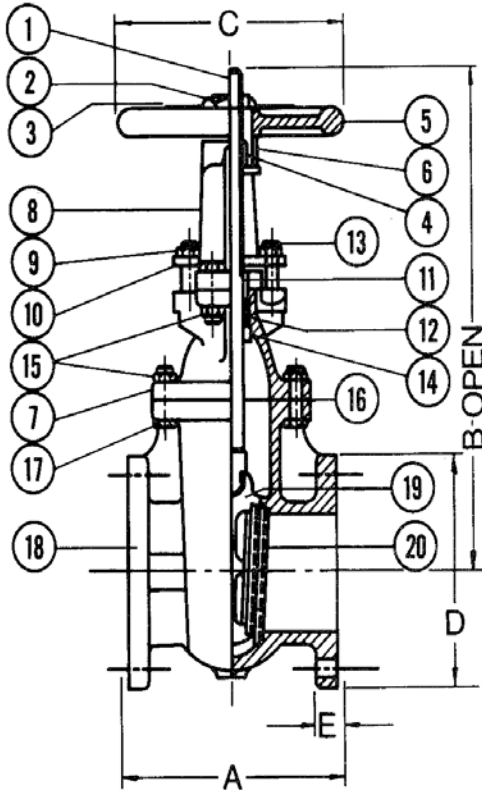
† Non-Shock

The information presented on this sheet is correct at the time of publication. Hammond Valve reserves the right to change design, and/or material specifications without notice. For the Installation, Operation and Maintenance Manual (IOM) see the Technical/Service Information section on our website. For the most current information access www.hammondvalve.com Hammond Valve is a registered trade mark of Milwaukee Valve Company.

IR1146-HI 2"-12"

Iron Gate Valve
125 SWP -200 WOG †
OS & Y • Solid Wedge Disc
Bolted Bonnet • Flanged Ends
Conforms to: MSS SP-70

Flange shape and drilling to specification ASME/ANSI B16.1 (125 lb.)



MATERIAL LIST			
No.	PART	MATERIAL	SPECIFICATION
1	Stem	Steel	ASTM A108-Gr.1020
2	Handwheel Nut	Ductile Iron	ASTM A 536
3	Name Plate	Aluminum	
4	Yoke Bushing	Ductile Iron	ASTM A 536
5	Handwheel	Cast Iron	ASTM A126, Class B
6 ²	Yoke Bushing Nut	Cast Iron	ASTM A 126, Class B
7 ¹	Bonnet	Cast Iron	ASTM A 126, Class B
8 ¹	Yoke	Cast Iron	ASTM A 126, Class B
9	Gland Follower Nut	Steel	ASTM A307-B
10	Gland Follower	Ductile Iron	ASTM A 536
11	Packing Gland	Cast Iron	ASTM A 126, Class B
12	Packing	Graphite	
13	Gland Follower Bolt	Steel	ASTM A307-B
14	Backseat Bushing	Ductile Iron	ASTM A 536
15	Nut	Steel	ASTM A307-B
16	Body Gasket	Graphite	
17	Bolt	Steel	ASTM A307-B
18	Body	Cast Iron	ASTM A126, Class B
19	Wedge	Cast Iron	ASTM A126, Class B
20	Seat Ring	Cast Iron	ASTM A126, Class B

¹ Sizes 2" to 3" made with yoke integral with bonnet.
 Sizes 4" through 12" made with separate yoke bolted to bonnet.
² Sizes 2" to 3" only

DIMENSIONS - INCHES/MILLIMETERS							
Units	Size	A	B	C	D	E	C _v
Inches mm	2	7.00 178	15.00 381	7.00 178	6.00 152	0.63 16	215
Inches mm	2 1/2	1.50 191	16.88 429	7.00 178	7.00 178	0.69 17	335
Inches mm	3	8.00 203	18.75 476	8.00 203	7.50 191	0.75 19	510
Inches mm	4	9.00 229	22.75 578	10.00 254	9.00 229	0.94 24	945
Inches mm	5	10.00 254	27.13 689	12.00 305	10.00 254	0.94 24	1525
Inches mm	6	10.50 267	30.13 765	12.00 305	11.00 279	1.00 25	2250
Inches mm	8	11.50 292	40.13 1019	14.00 356	13.50 343	1.13 29	4150
Inches mm	10	13.00 330	48.25 1226	16.00 406	16.00 406	1.81 46	6700
Inches mm	12	14.00 356	56.88 1445	18.00 457	19.00 483	1.25 32	9925

Suffix HI – Signifies International Valves.
 † Non-Shock

The information presented on this sheet is correct at the time of publication. Hammond Valve reserves the right to change design, and/or material specifications without notice. For the Installation, Operation and Maintenance Manual (IOM) see the Technical/Service Information section on our website. For the most current information access www.hammondvalve.com
 Hammond Valve is a registered trade mark of Milwaukee Valve Company.



IR1140-UL 2 1/2"-8"

Iron Gate Valve

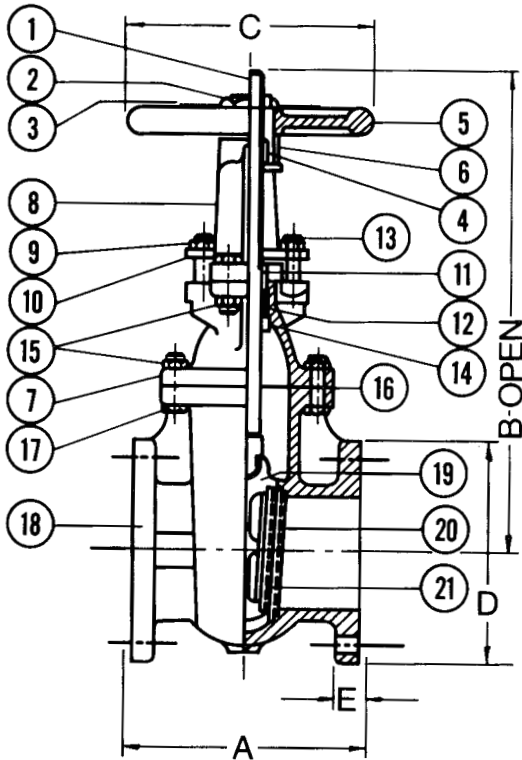
175 WOG †

NEW YORK CITY BOARD OF STANDARDS and APPROVAL

Approvals: U.L. Listed, F.M.,
N.Y.C. B.S.A. No. 278-90-SM



OS & Y • Solid Wedge Disc
Bolted Bonnet • Flanged Ends



MATERIAL LIST			
No.	PART	MATERIAL	SPECIFICATION
1	Stem	Silicon Brass	1 ASTM B98
2	Handwheel Nut	Ductile Iron	ASTM A636
3	Name Plate	Aluminum	
4	Yoke Bushing	Brass	ASTM B16
5	Handwheel	Cast Iron	ASTM A126, Class B
6 ²	Yoke Bushing Nut	Cast Iron	ASTM A126, Class B
7 ³	Bonnet	Cast Iron	ASTM A126, Class B
8 ³	Yoke	Cast Iron	ASTM A126, Class B
9	Gland Follower Nut	Steel	ASTM A563
10	Gland Follower	Ductile Iron	ASTM A536
11	Packing Gland	Brass	ASTM B16
12	Packing	Graphite	
13	Gland Follower Bolt	Steel	ASTM A307-B
14	Backseat Bushing	Brass	ASTM B16
15	Nut	Steel	ASTM A563
16	Body Gasket	Graphite	
17	Bolt	Steel	ASTM A 307-B
18	Body	Cast Iron	ASTM A126, Class B
19	Wedge	Cast Iron	ASTM A126, Class B
20	Seat Ring	Cast Bronze	ASTM B62
21	Wedge Face Ring	Cast Bronze	ASTM B62

- ¹ 8" is Brass ASTM B-16
- ² Sizes 2 1/2" to 6" inch only.
- ³ Sizes 2 1/2" and 3" made with yoke integral with bonnet.
Sizes 4" through 8" made with separate yoke bolted to bonnet.

DIMENSIONS - INCHES/MILLIMETERS							
Units	Size	A	B	C	D	E	C _v
Inches	2 1/2	7.50	16.00	7.00	7.00	0.69	335
mm		191	406	178	178	17	
Inches	3	8.00	18.50	7.50	7.50	0.75	510
mm		203	470	191	191	19	
Inches	4	9.00	22.25	8.00	9.00	0.94	945
mm		229	565	203	229	24	
Inches	6	10.50	30.50	11.75	11.00	1.00	2250
mm		267	775	298	279	25	
Inches	8	11.50	38.38	13.50	13.50	1.13	4150
mm		292	975	343	343	29	

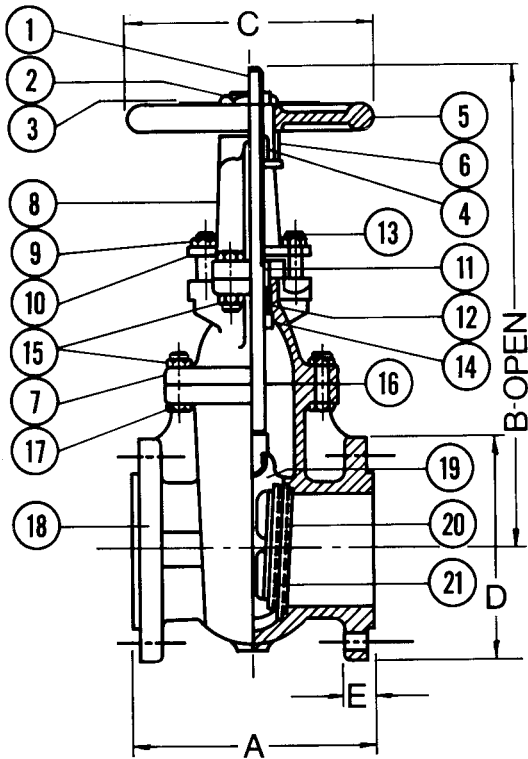
The information presented on this sheet is correct at the time of publication. Hammond Valve reserves the right to change design, and/or material specifications without notice. For the Installation, Operation and Maintenance Manual (IOM) see the Technical/Service Information section on our website. For the most current information access www.hammondvalve.com
Hammond Valve is a registered trade mark of Milwaukee Valve Company.



IR330 2"-12"

Iron Gate Valve
250 SWP - 500 WOG †
OS & Y • Solid Wedge Disc
Bolted Bonnet • Flanged Ends
Conforms to: MSS SP-70

Flange shape and drilling to specification ASME B 16.1 (250 lb.)



MATERIAL LIST			
No.	PART	MATERIAL	SPECIFICATION
1	Stem	Brass	ASTM B16
2	Handwheel Nut	Ductile Iron	
3	Name Plate	Aluminum	
4	Yoke Bushing	Cast Bronze	ASTM B62
5	Handwheel	Cast Iron	ASTM A126, Class B
6 ²	Yoke Bushing Nut	Cast Iron	ASTM A126, Class B
7 ¹	Bonnet	Cast Iron	ASTM A126, Class B
8 ¹	Yoke	Cast Iron	ASTM A126, Class B
9	Gland Follower Nut	Steel	ASTM A307-B
10	Gland Follower	Ductile Iron	ASTM A 536
11	Packing Gland	Cast Bronze	ASTM B62
12	Packing	Graphite	
13	Gland Follower Bolt	Steel	ASTM A307-B
14	Backseat Bushing	Cast Bronze	ASTM B62
15	Nut	Steel	ASTM A307-B
16	Body Gasket	Graphite	
17	Bolt	Steel	ASTM A307-B
18	Body	Cast Iron	ASTM A126, Class B
19	Wedge	Cast Iron	ASTM A126, Class B
20	Seat Ring	Cast Bronze	ASTM B62
21	Wedge Face Ring	Cast Bronze	ASTM B62

- ¹ Sizes 2" to 3" made with yoke integral with bonnet.
² Sizes 4" through 12" made with separate yoke bolted to bonnet.

DIMENSIONS - INCHES/MILLIMETERS							
Units	Size	A	B	C	D	E	C _v
Inches	2	8.50	16.00	8.00	6.50	0.88	215
mm		216	406	203	165	22	
Inches	2 1/2	9.50	16.88	8.00	7.50	1.00	335
mm		241	429	203	191	25	
Inches	3	11.13	19.38	10.00	8.25	1.13	510
mm		283	492	254	210	29	
Inches	4	12.00	23.63	12.00	10.00	1.25	945
mm		305	600	305	254	32	
Inches	5	15.00	27.75	12.00	11.00	1.38	1525
mm		381	705	305	279	35	
Inches	6	15.88	32.38	14.00	12.50	1.44	2250
mm		403	822	356	318	37	
Inches	8	16.50	40.50	16.00	15.00	1.63	4150
mm		419	1245	406	381	41	
Inches	10	18.00	49.00	18.00	17.50	1.88	6700
mm		457	1245	457	445	48	
Inches	12	19.75	56.88	20.00	20.50	2.00	9925
mm		502	1445	508	521	51	

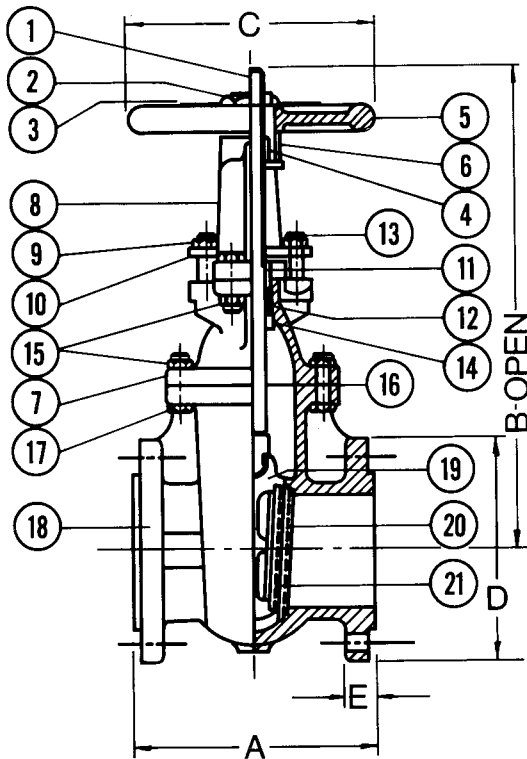
† Non-Shock

The information presented on this sheet is correct at the time of publication. Hammond Valve reserves the right to change design, and/or material specifications without notice. For the Installation, Operation and Maintenance Manual (IOM) see the Technical/Service Information section on our website. For the most current information access www.hammondvalve.com Hammond Valve is a registered trade mark of Milwaukee Valve Company.

IR330-HI 2"-12"

Iron Gate Valve
250 SWP - 500 WOG †
OS & Y • Solid Wedge Disc
Bolted Bonnet • Flanged Ends
Conforms to: MSS SP-70

Flange shape and drilling to specification ASME B 16.1 (250 lb.)



MATERIAL LIST			
No.	PART	MATERIAL	SPECIFICATION
1	Stem	Brass	ASTM B16
2	Handwheel Nut	Ductile Iron	
3	Name Plate	Aluminum	
4	Yoke Bushing	Cast Bronze	ASTM B62
5	Handwheel	Cast Iron	ASTM A126, Class B
6 ²	Yoke Bushing Nut	Cast Iron	ASTM A126, Class B
7 ¹	Bonnet	Cast Iron	ASTM A126, Class B
8 ¹	Yoke	Cast Iron	ASTM A126, Class B
9	Gland Follower Nut	Steel	ASTM A307-B
10	Gland Follower	Ductile Iron	ASTM A536
11	Packing Gland	Cast Bronze	ASTM B62
12	Packing	Graphite	
13	Gland Follower Bolt	Steel	ASTM A307-B
14	Backseat Bushing	Cast Bronze	ASTM B62
15	Nut	Steel	ASTM A307-B
16	Body Gasket	Graphite	
17	Bolt	Steel	ASTM A307-B
18	Body	Cast Iron	ASTM A126, Class B
19	Wedge	Cast Iron	ASTM A126, Class B
20	Seat Ring	Cast Bronze	ASTM B62
21	Wedge Face Ring	Cast Bronze	ASTM B62

¹ Sizes 2" to 3" made with yoke integral with bonnet.
² Sizes 4" through 12" made with separate yoke bolted to bonnet.

DIMENSIONS - INCHES/MILLIMETERS							
Units	Size	A	B	C	D	E	C _v
Inches mm	2	8.50 216	16.00 406	8.00 203	6.50 165	0.88 22	215
Inches mm	2 1/2	9.50 241	16.88 429	8.00 203	7.50 191	1.00 25	335
Inches mm	3	11.13 283	19.38 492	10.00 254	8.25 210	1.13 29	510
Inches mm	4	12.00 305	23.63 600	12.00 305	10.00 254	1.25 32	945
Inches mm	5	15.00 381	27.75 705	12.00 305	11.00 279	1.38 35	1525
Inches mm	6	15.88 403	32.38 822	14.00 356	12.50 318	1.44 37	2250
Inches mm	8	16.50 419	40.50 1245	16.00 406	15.00 381	1.63 41	4150
Inches mm	10	18.00 457	49.00 1245	18.00 457	17.50 445	1.88 48	6700
Inches mm	12	19.75 502	56.88 1445	20.00 508	20.50 521	2.00 51	9925

Suffix HI – Signifies International Valves.
 † Non-Shock

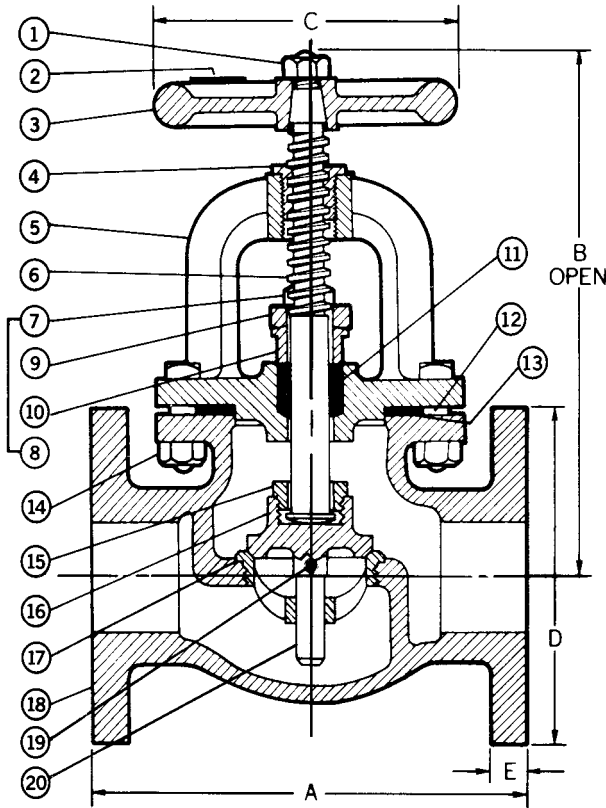
The information presented on this sheet is correct at the time of publication. Hammond Valve reserves the right to change design, and/or material specifications without notice. For the Installation, Operation and Maintenance Manual (IOM) see the Technical/Service Information section on our website. For the most current information access www.hammondvalve.com Hammond Valve is a registered trade mark of Milwaukee Valve Company.



IR116 2"-10"

Iron Globe Valve
125 SWP - 200 WOG †
Solid Wedge Disc
Bolted Bonnet • Flanged Ends
Conforms to: MSS SP-85

Flange shape and drilling to specification ASME B16.1 (125 lb.)



MATERIAL LIST			
No.	PART	MATERIAL	SPECIFICATION
1	Handwheel Nut	Steel	ASTM A307-B
2	Name Plate	Aluminum	
3	Handwheel	Cast Iron	ASTM A126, Class B
4	Yoke Bushing	Bronze	ASTM B62
5	Bonnet	Cast Iron	ASTM A 126, Class B
6	Stem	Brass	ASTM B16
7	Gland Follower Nut	Bronze	
8	Gland Follower Stud	Steel	ASTM A307-B
9	Gland Follower	Ductile Iron	ASTM A536
10	Packing Gland	Cast Bronze	ASTM B62
11	Packing	Graphite	
12	Body Bolt	Steel	ASTM A307-B
13	Body Gasket	Graphite	
14	Body Nut	Steel	ASTM A307-B
15	Swivel Nut	Bronze	ASTM B62
16 ¹	Disc	Bronze	ASTM B62
17	Seat Ring	Bronze	ASTM B62
18	Body	Cast Iron	ASTM A 126, Class B
19 ¹	Taper Pin	Steel	
20 ¹	Guide Pin	Brass	ASTM B16

¹ Sizes through 4" have bronze ASTM B62 disc. 5" through 12" have iron disc with bronze disc face rings and brass pilots.

DIMENSIONS - INCHES/MILLIMETERS							
Units	Size	A	B	C	D	E	C _v
Inches mm	2	8.00 203	10.19 259	7.00 178	6.00 152	0.63 16	45
Inches mm	2 1/2	8.50 216	11.81 300	7.00 178	7.00 178	0.69 17	70
Inches mm	3	9.50 241	12.50 318	8.00 203	7.50 191	0.75 19	105
Inches mm	4	11.50 292	15.81 402	10.00 254	9.00 229	0.94 24	195
Inches mm	5	13.00 331	16.50 419	12.00 305	10.00 254	0.94 24	315
Inches mm	6	14.00 356	18.88 479	12.00 305	11.00 279	1.00 25	465
Inches mm	8	19.50 495	21.13 537	14.00 356	13.50 343	1.13 29	860
Inches mm	10	24.50 622	25.19 640	16.00 406	16.00 406	1.19 30	1390

† Non-Shock

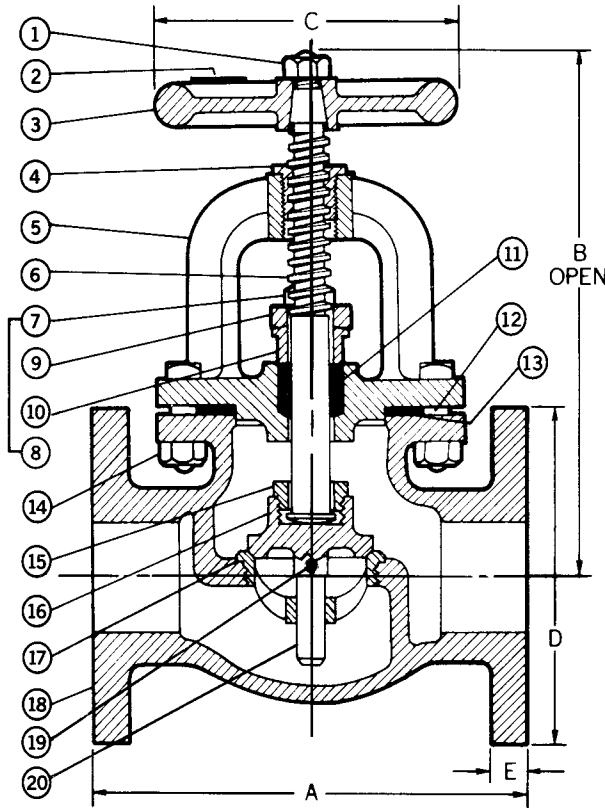
Note: Does not meet Senate Law S.3874

The information presented on this sheet is correct at the time of publication. Hammond Valve reserves the right to change design, and/or material specifications without notice. For the Installation, Operation and Maintenance Manual (IOM) see the Technical/Service Information section on our website. For the most current information access www.hammondvalve.com Hammond Valve is a registered trade mark of Milwaukee Valve Company.

IR116-HI 2"-10"

Iron Globe Valve
125 SWP - 200 WOG †
Solid Wedge Disc
Bolted Bonnet • Flanged Ends
Conforms to: MSS SP-85

Flange shape and drilling to specification ASME B16.1 (125 lb.)



MATERIAL LIST			
No.	PART	MATERIAL	SPECIFICATION
1	Handwheel Nut	Steel	ASTM A307-B
2	Name Plate	Aluminum	
3	Handwheel	Cast Iron	ASTM A126, Class B
4	Yoke Bushing	Bronze	ASTM B62
5	Bonnet	Cast Iron	ASTM A126, Class B
6	Stem	Brass	ASTM B16
7	Gland Follower Nut	Bronze	
8	Gland Follower Stud	Steel	ASTM A307-B
9	Gland Follower	Ductile Iron	ASTM A 536
10	Packing Gland	Cast Bronze	ASTM B62
11	Packing	Graphite	
12	Body Bolt	Steel	ASTM A307-B
13	Body Gasket	Graphite	
14	Body Nut	Steel	ASTM A307-B
15	Swivel Nut	Bronze	ASTM B62
16 ¹	Disc	Bronze	ASTM B62
17	Seat Ring	Bronze	ASTM B62
18	Body	Cast Iron	ASTM A126, Class B
19 ¹	Taper Pin	Steel	
20 ¹	Guide Pin	Brass	ASTM B16

¹ Sizes through 4" have bronze ASTM B62 disc. 5" through 12" have iron disc with bronze disc face rings and brass pilots.

DIMENSIONS - INCHES/MILLIMETERS							
Units	Size	A	B	C	D	E	C _v
Inches mm	2	8.00 203	10.19 259	7.00 178	6.00 152	0.63 16	45
Inches mm	2 1/2	8.50 216	11.81 300	7.00 178	7.00 178	0.69 17	70
Inches mm	3	9.50 241	12.50 318	8.00 203	7.50 191	0.75 19	105
Inches mm	4	11.50 292	15.81 402	10.00 254	9.00 229	0.94 24	195
Inches mm	5	13.00 331	16.50 419	12.00 305	10.00 254	0.94 24	315
Inches mm	6	14.00 356	18.88 479	12.00 305	11.00 279	1.00 25	465
Inches mm	8	19.50 495	21.13 537	14.00 356	13.50 343	1.13 29	860
Inches mm	10	24.50 622	25.19 640	16.00 406	16.00 406	1.19 30	1390

Suffix HI – Signifies International Valves.

† Non-Shock

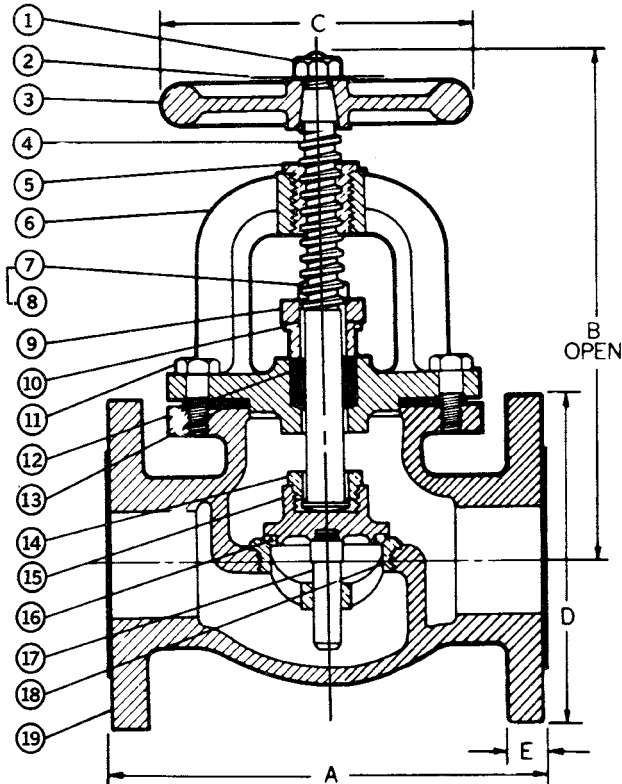
Note: Does not meet Senate Law S.3874

The information presented on this sheet is correct at the time of publication. Hammond Valve reserves the right to change design, and/or material specifications without notice. For the Installation, Operation and Maintenance Manual (IOM) see the Technical/Service Information section on our website. For the most current information access www.hammondvalve.com Hammond Valve is a registered trade mark of Milwaukee Valve Company.

IR313 2 1/2"-6"

Iron Globe Valve
250 SWP - 500 WOG †
Solid Wedge Disc
Bolted Bonnet • Flanged Ends
Conforms to: MSS SP-85

Flange shape and drilling to specification ASME B16.1 (250 lb.)



MATERIAL LIST			
No.	PART	MATERIAL	SPECIFICATION
1	Handwheel Nut	Steel	
2	Name Plate	Aluminum	
3	Handwheel	Cast Iron	ASTM A126, Class B
4	Stem	Brass	ASTM B16
5	Yoke Bushing	Cast Bronze	ASTM B62
6	Bonnet	Cast Iron	ASTM A126, Class B
7	Gland Follower Nut	Bronze	
8	Gland Follower Stud	Steel	
9	Gland Follower	Cast Iron	ASTM A126, Class B
10	Packing Gland	Brass	ASTM B16
11	Hex Head Cap Screws	Steel	
12	Packing	Graphite	
13	Body Gasket	Graphite	
14	Swivel Nut or Sleeve	Cast Bronze	ASTM B62
15 ¹	Disc	Cast Iron	ASTM A126, Class B
16	Disc Ring	Cast Bronze	ASTM B62
17	Disc Pilot	Cast Bronze	ASTM B62
18	Seat Ring	Cast Bronze	ASTM B62
19	Body	Cast Iron	ASTM A126, Class B

¹ Sizes through 4" have all bronze discs. Sizes 5" through 8" have cast iron disc with bronze disc face rings.

DIMENSIONS - INCHES/MILLIMETERS							
Units	Size	A	B	C	D	E	C _v
Inches mm	2 1/2	11.50 292	13.56 345	8.00 20	7.50	1.00	70
Inches mm	3	12.50 318	13.88 352	10.00 254	8.25 210	1.13 29	105
Inches mm	4	14.00 356	16.63 422	12.00 305	10.00 254	1.25 32	195
Inches mm	6	17.50 445	26.25 667	12.00 305	12.50 318	1.44 37	465

† Non-Shock

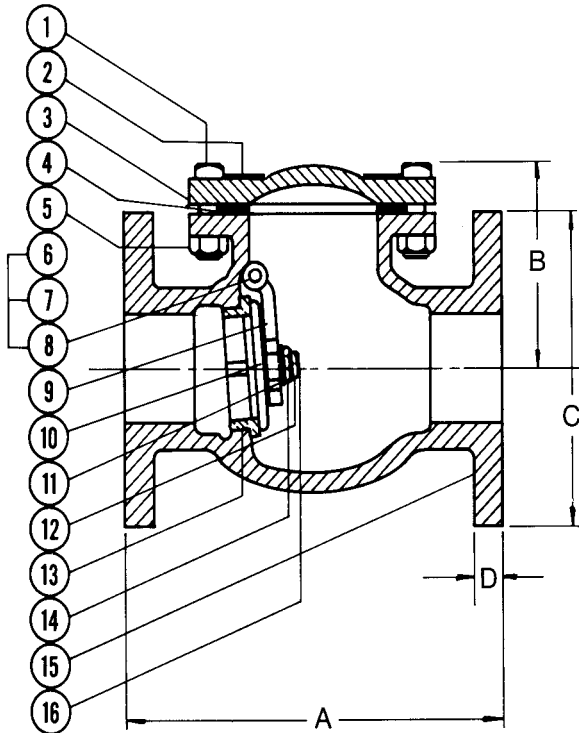
Note: Does not meet Senate Law S.3874

The information presented on this sheet is correct at the time of publication. Hammond Valve reserves the right to change design, and/or material specifications without notice. For the Installation, Operation and Maintenance Manual (IOM) see the Technical/Service Information section on our website. For the most current information access www.hammondvalve.com Hammond Valve is a registered trade mark of Milwaukee Valve Company.

IR1124 2"-12"

Iron Check Valve
125 SWP - 200 WOG †
Horizontal Swing • Flanged Ends
Bolted Cover
Conforms to: MSS SP-71

Flange shape and drilling to specification ASME B 16.1 (125 lb).



MATERIAL LIST			
No.	PART	MATERIAL	SPECIFICATION
1	Bolt	Steel	
2	Name Plate	Aluminum	
3	Cover	Cast Iron	ASTM A126, Class B
4	Cover Gasket	Graphite	
5	Nut	Steel	
6	Side Plug	Brass	ASTM B16
7	Gasket	Graphite	
8	Hanger Pin	SS 304	ASTM B16
9	Hanger	Ductile Iron	ASTM A536
10 ¹	Disc	Cast Iron	ASTM A126, Class B
11	Washer	Steel	
12	Cotton Pin	Carbon Steel Galvanized	
13	Seat Ring	Bronze	ASTM B 62
14	Disc Nut	Steel	ASTM A307
15	Body	Cast Iron	ASTM A126, Class B
16	Stud Bolt	Brass	ASTM B16

¹ Valve Disc-Cast iron with bronze disc face rings.

DIMENSIONS - INCHES/MILLIMETERS						
Units	Size	A	B	C	D	C _v
Inches mm	2	8.00 203	3.94 100	6.00 1.52	0.63 16	137
Inches mm	2 1/2	8.50 216	4.50 114	7.00 178	0.69 17	221
Inches mm	3	9.50 241	5.13 130	7.50 191	0.75 19	327
Inches mm	4	11.50 292	6.13 156	9.00 229	0.94 24	605
Inches mm	5	13.00 330	6.81 173	10.00 254	0.94 24	975
Inches mm	6	14.00 356	8.00 203	11.00 279	1.00 25	1440
Inches mm	8	19.50 495	9.44 240	13.50 343	1.13 29	2670
Inches mm	10	24.50 622	12.06 306	16.00 406	1.19 30	4300
Inches mm	12	27.50 699	16.13 410	19.00 483	1.25	6350

† Non-Shock

Note: Does not meet Senate Law S.3874

Note 1: On pump discharge, the preferred check valve is either an in-line spring loaded valve or a swing design with lever and weight. Install these valves as far as possible from the pump and elbows with a minimum distance of 5 times the pipe diameter.

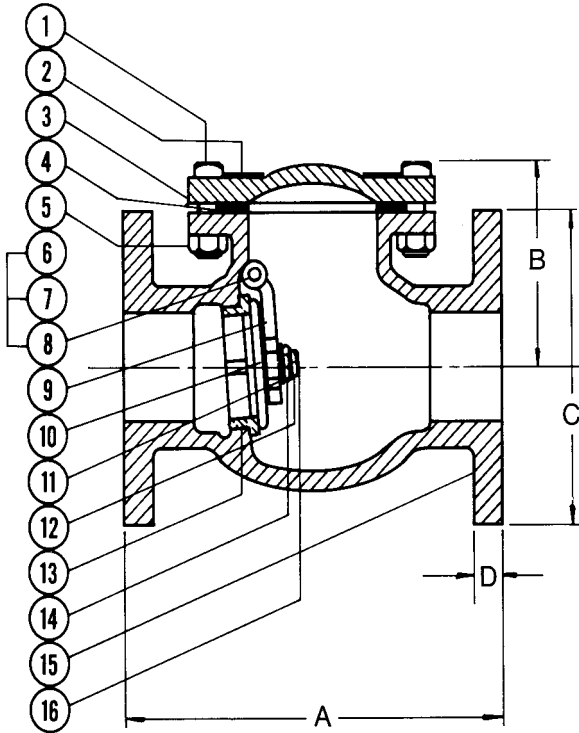
Note 2: These iron body check valves may be installed in horizontal and vertical lines with upward flow or in intermediate position.

The information presented on this sheet is correct at the time of publication. Hammond Valve reserves the right to change design, and/or material specifications without notice. For the Installation, Operation and Maintenance Manual (IOM) see the Technical/Service Information section on our website. For the most current information access www.hammondvalve.com Hammond Valve is a registered trade mark of Milwaukee Valve Company.

IR1124-HI 2"-12"

Iron Check Valve
125 SWP - 200 WOG †
Horizontal Swing • Flanged Ends
Bolted Cover
Conforms to: MSS SP-71

Flange shape and drilling to specification ASME B 16.1 (125 lb).



MATERIAL LIST			
No.	PART	MATERIAL	SPECIFICATION
1	Bolt	Steel	
2	Name Plate	Aluminum	
3	Cover	Cast Iron	ASTM A126, Class B
4	Cover Gasket	Graphite	
5	Nut	Steel	
6	Side Plug	Brass	ASTM B16
7	Gasket	Graphite	
8	Hanger Pin	SS 304	ASTM B16
9	Hanger	Ductile Iron	ASTM A536
10 ¹	Disc	Cast Iron	ASTM A126, Class B
11	Washer	Steel	
12	Cotton Pin	Zinc Plated Steel	
13	Seat Ring	Bronze	ASTM B62
14	Disc Nut	Steel	ASTM A307
15	Body	Cast Iron	ASTM A126, Class B
16	Stud Bolt	Brass	ASTM B16

¹ Valve Disc-Cast iron with bronze disc face rings.

Note 1: On pump discharge, the preferred check valve is either an in-line spring loaded valve or a swing design with lever and weight. Install these valves as far as possible from the pump and elbows with a minimum distance of 5 times the pipe diameter.

Note 2: These iron body check valves may be installed in horizontal and vertical lines with upward flow or in intermediate position.

DIMENSIONS - INCHES/MILLIMETERS						
Units	Size	A	B	C	D	C _v
Inches mm	2	8.00 203	4.56 116	6.00 152	0.63 16	137
Inches mm	2 1/2	8.50 216	5.38 137	7.00 178	0.69 17	221
Inches mm	3	9.50 241	5.56 141	7.50 191	0.75 19	327
Inches mm	4	11.50 292	6.69 170	9.00 229	0.94 24	605
Inches mm	5	13.00 330	7.75 197	10.00 254	0.94 24	975
Inches mm	6	14.00 356	9.50 241	11.00 279	1.00 25	1440
Inches mm	8	19.50 495	10.38 264	13.50 343	1.13 29	2670
Inches mm	10	24.50 622	12.00 305	16.00 406	1.19 30	4300
Inches mm	12	27.50 699	13.50 343	19.00 483	1.25	6350

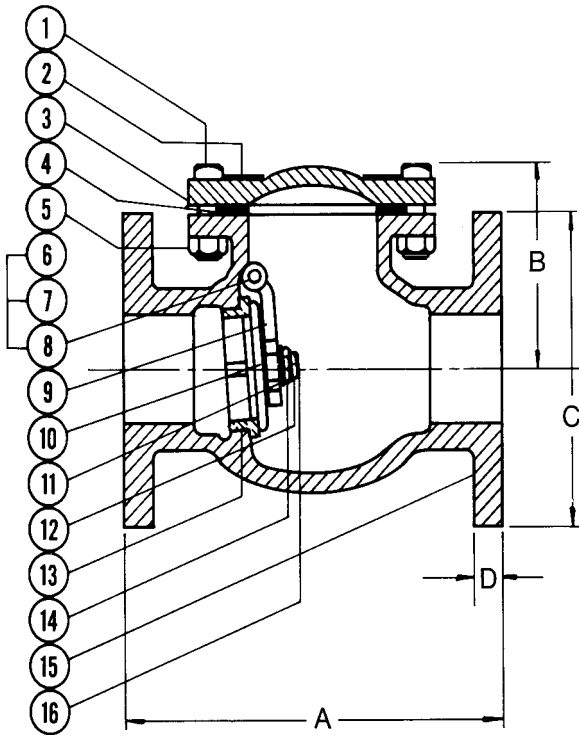
Suffix HI – Signifies International Valves.
 † Non-Shock

The information presented on this sheet is correct at the time of publication. Hammond Valve reserves the right to change design, and/or material specifications without notice. For the Installation, Operation and Maintenance Manual (IOM) see the Technical/Service Information section on our website. For the most current information access www.hammondvalve.com Hammond Valve is a registered trade mark of Milwaukee Valve Company.

IR1124-HI 14"-24"

Iron Check Valve
100 SWP - 150 WOG †
Horizontal Swing • Flanged Ends
Bolted Cover
Conforms to: MSS SP-71

Flange shape and drilling to specification ASME B 16.1 (125 lb).



MATERIAL LIST			
No.	PART	MATERIAL	SPECIFICATION
1	Bolt	Steel	
2	Name Plate	Aluminum	
3	Cover	Cast Iron	ASTM A126, Class B
4	Cover Gasket	Graphite	
5	Nut	Steel	
6	Side Plug	Brass	ASTM B16
7	Gasket	Graphite	
8	Hanger Pin	SS 304	ASTM B16
9	Hanger	Ductile Iron	ASTM A536
10 ¹	Disc	Cast Iron	ASTM A126, Class B
11	Washer	Steel	
12	Cotton Pin	Zinc Plated Steel	
13	Seat Ring	Bronze	ASTM B62
14	Disc Nut	Steel	ASTM A307
15	Body	Cast Iron	ASTM A126, Class B
16	Stud Bolt	Brass	ASTM B16

¹ Valve Disc-Cast iron with bronze disc face rings.

Note 1: On pump discharge, the preferred check valve is either an in-line spring loaded valve or a swing design with lever and weight. Install these valves as far as possible from the pump and elbows with a minimum distance of 5 times the pipe diameter.

Note 2: These iron body check valves may be installed in horizontal and vertical lines with upward flow or in intermediate position.

DIMENSIONS - INCHES/MILLIMETERS					
Units	Size	A	B	C	D
Inches	14	31.00	15.75	21.00	1.38
mm		787	400	533	35
Inches	16	36.00	17.25	23.50	1.44
mm		914	438	597	37
Inches	18	36.00	19.00	25.00	1.56
mm		914	483	635	40
Inches	20	40.00	21.88	27.50	1.69
mm		1016	556	699	43
Inches	24	48.00	24.44	32.00	1.88
mm		1219	621	813	48

Suffix HI – Signifies International Valves.

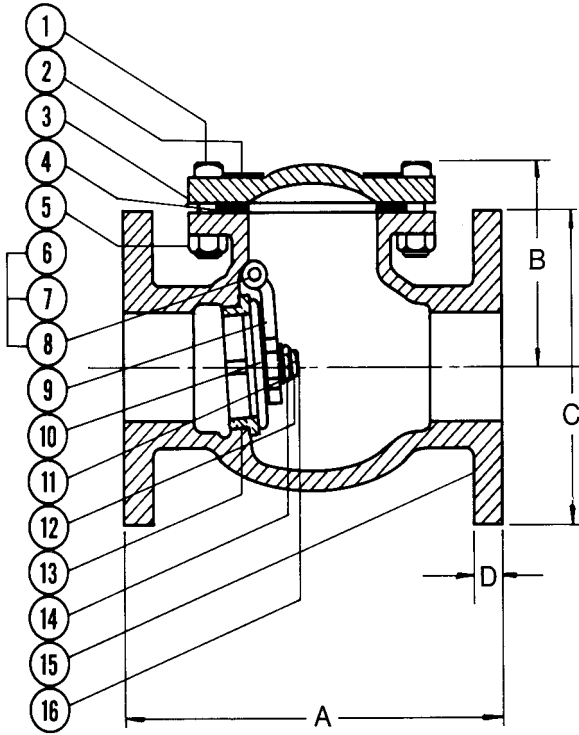
† Non-Shock

The information presented on this sheet is correct at the time of publication. Hammond Valve reserves the right to change design, and/or material specifications without notice. For the Installation, Operation and Maintenance Manual (IOM) see the Technical/Service Information section on our website. For the most current information access www.hammondvalve.com Hammond Valve is a registered trade mark of Milwaukee Valve Company.

IR1126-HI 2"-12"

Iron Check Valve
125 SWP - 200 WOG †
Horizontal Swing • Flanged Ends
Bolted Cover
Conforms to: MSS SP-71

Flange shape and drilling to specification ASME B 16.1 (125 lb).



MATERIAL LIST			
No.	PART	MATERIAL	SPECIFICATION
1	Bolt	Steel	
2	Name Plate	Aluminum	
3	Cover	Cast Iron	ASTM A126, Class B
4	Cover Gasket	Graphite	
5	Nut	Steel	
6	Side Plug	Steel	
7	Gasket	Graphite	
8	Hanger Pin	SS 304	
9	Hanger	Ductile Iron	ASTM A536
10	Disc	Cast Iron	ASTM A126, Class B
11	Washer	Steel	
12	Cotton Pin	Zinc Plated Steel	
13	Seat Ring	Bronze	ASTM B62
14	Disc Nut	Steel	ASTM A307
15	Body	Cast Iron	ASTM A126, Class B
16	Stud Bolt	Brass	ASTM B16

DIMENSIONS - INCHES/MILLIMETERS						
Units	Size	A	B	C	D	C _v
Inches mm	2	8.00 203	4.56 116	6.00 1.52	0.63 16	137
Inches mm	2 1/2	8.50 216	5.38 137	7.00 178	0.69 17	221
Inches mm	3	9.50 241	5.56 141	7.50 191	0.75 19	327
Inches mm	4	11.50 292	6.69 170	9.00 229	0.94 24	605
Inches mm	5	13.00 330	7.75 197	10.00 254	0.94 24	975
Inches mm	6	14.00 356	9.50 241	11.00 279	1.00 25	1440
Inches mm	8	19.50 495	10.38 264	13.50 343	1.13 29	2670
Inches mm	10	24.50 622	12.00 305	16.00 406	1.19 30	4300
Inches mm	12	27.50 699	13.50 343	19.00 483	1.25 32	6350

Note 1: On pump discharge, the preferred check valve is either an in-line spring loaded valve or a swing design with lever and weight. Install these valves as far as possible from the pump and elbows with a minimum distance of 5 times the pipe diameter.

Note 2: These iron body check valves may be installed in horizontal and vertical lines with upward flow or in intermediate position.

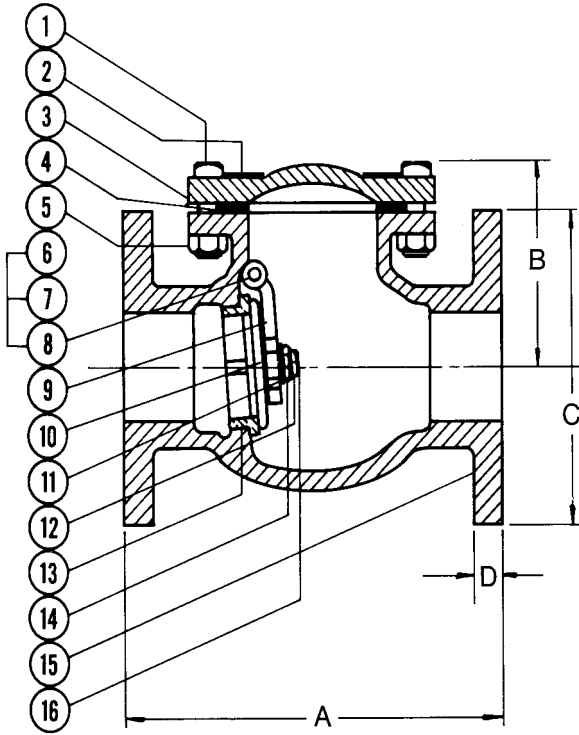
Suffix HI – Signifies International Valves.
 † Non-Shock

The information presented on this sheet is correct at the time of publication. Hammond Valve reserves the right to change design, and/or material specifications without notice. For the Installation, Operation and Maintenance Manual (IOM) see the Technical/Service Information section on our website. For the most current information access www.hammondvalve.com Hammond Valve is a registered trade mark of Milwaukee Valve Company.

IR1126-HI 14"-24"

Iron Check Valve
100 SWP - 150 WOG †
Horizontal Swing • Flanged Ends
Bolted Cover
Conforms to: MSS SP-71

Flange shape and drilling to specification ASME B 16.1 (125 lb).



MATERIAL LIST			
No.	PART	MATERIAL	SPECIFICATION
1	Bolt	Steel	
2	Name Plate	Aluminum	
3	Cover	Cast Iron	ASTM A126, Class B
4	Cover Gasket	Graphite	
5	Nut	Steel	
6	Side Plug	Steel	
7	Gasket	Graphite	
8	Hanger Pin	SS 304	
9	Hanger	Ductile Iron	ASTM A536
10	Disc	Cast Iron	ASTM A126, Class B
11	Washer	Steel	
12	Cotton Pin	Zinc Plated Steel	
13	Seat Ring	Bronze	ASTM B62
14	Disc Nut	Steel	ASTM A307
15	Body	Cast Iron	ASTM A126, Class B
16	Stud Bolt	Brass	ASTM B16

Note 1: On pump discharge, the preferred check valve is either an in-line spring loaded valve or a swing design with lever and weight. Install these valves as far as possible from the pump and elbows with a minimum distance of 5 times the pipe diameter.

Note 2: These iron body check valves may be installed in horizontal and vertical lines with upward flow or in intermediate position.

DIMENSIONS - INCHES/MILLIMETERS					
Units	Size	A	B	C	D
Inches	14	31.00	15.75	21.00	1.38
mm		787	400	533	35
Inches	16	36.00	17.25	23.50	1.44
mm		914	438	597	37
Inches	18	36.00	19.00	25.00	1.56
mm		914	483	635	40
Inches	20	40.00	21.88	27.50	1.69
mm		1016	556	699	43
Inches	24	48.00	24.44	32.00	1.88
mm		1219	621	813	48

Suffix HI – Signifies International Valves.
 † Non-Shock

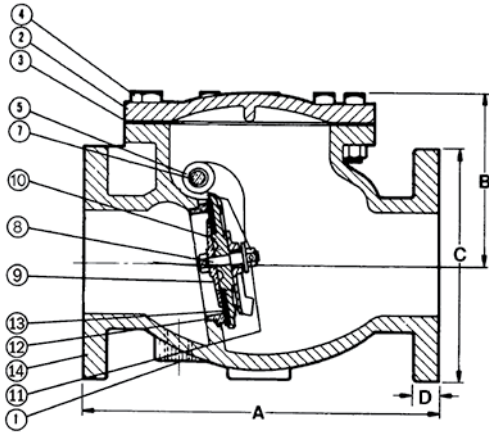
The information presented on this sheet is correct at the time of publication. Hammond Valve reserves the right to change design, and/or material specifications without notice. For the Installation, Operation and Maintenance Manual (IOM) see the Technical/Service Information section on our website. For the most current information access www.hammondvalve.com Hammond Valve is a registered trade mark of Milwaukee Valve Company.

IR1124-UL 2 1/2"-8"

Iron Check Valve
175 WP WOG †
Renewable Seat and Disc • Flanged Ends
Bolted Bonnet

NEW YORK CITY BOARD OF STANDARDS and APPROVAL

Approvals: U.L. Listed, F.M.,
 N.Y.C. B.S.A. No. 278-90-SM



MATERIAL LIST			
No.	PART	MATERIAL	SPECIFICATION
1	Pipe Plug	Cast Iron or Steel	
2	Cover	Cast Iron	ASTM A126, Class B
3	Cover Gasket	Graphite	
4	Cover Bolt and Nut	Steel	ASTM A307
5	Hinge Plug	Cast Bronze	B 584 Alloy C84400
6	Hinge Pin	Brass	ASTM B16
7	Disc Hanger Nut	Cast Bronze	B 584 Alloy C84400
8	Disc Stud Bolt	Brass	ASTM B16 Alloy C36000
9	Disc Plate	Cast Bronze	B 584 Alloy C84400
10	Disc Hanger	Cast Bronze	B 584 Alloy C84400
11	Disc Nut	Brass	ASTM B16 Alloy C36000
12	Seat Ring	Cast Bronze	B 584 Alloy C84400
13	Disc	Rubber	
14	Body	Cast Iron	ASTM A126, Class B

Note 1: On pump discharge, the preferred check valve is either an in-line spring loaded valve or a swing design with lever and weight. Install these valves as far as possible from the pump and elbows with a minimum distance of 5 times the pipe diameter.

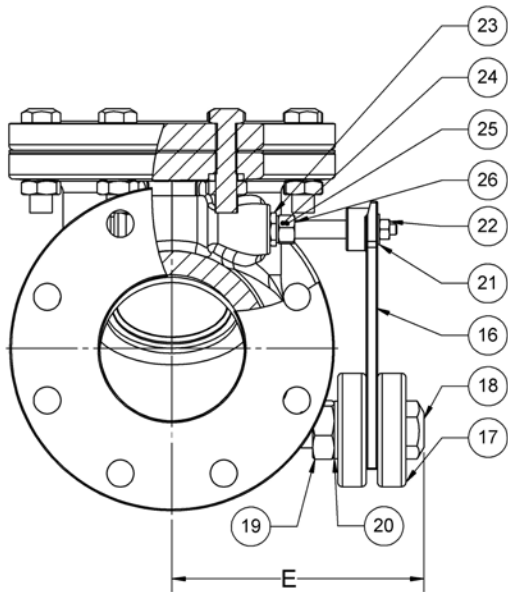
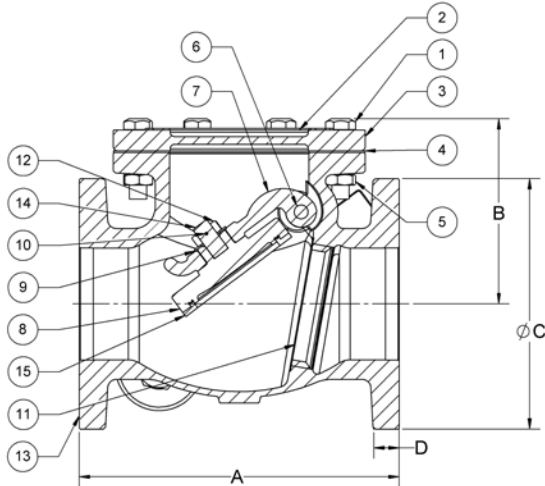
DIMENSIONS - INCHES/MILLIMETERS						
Units	Size	A	B	C	D	C _v
Inches mm	2 1/2	10.00 254	6.44 164	7.00 178	0.69 17	221
Inches mm	3	10.25 260	6.63 168	7.50 191	0.75 19	327
Inches mm	4	13.00 330	8.00 203	9.00 229	0.94 24	605
Inches mm	6	16.25 413	10.31 262	11.00 279	1.00 25	975
Inches mm	8	19.50 495	11.50 292	13.50 343	1.13 29	1440

† Non-Shock

The information presented on this sheet is correct at the time of publication. Hammond Valve reserves the right to change design, and/or material specifications without notice. For the Installation, Operation and Maintenance Manual (IOM) see the Technical/Service Information section on our website. For the most current information access www.hammondvalve.com
 Hammond Valve is a registered trade mark of Milwaukee Valve Company.

IR1124-LW 2"-12"

Iron Check Valve With Lever and Weight
125 SWP - 200 WOG †
Horizontal Swing • Flanged Ends
Bolted Cover
Conforms to: MSS SP-71



Note 1: On pump discharge, the preferred check valve is either an in-line spring loaded valve or a swing design with lever and weight. Install these valves as far as possible from the pump and elbows with a minimum distance of 5 times the pipe diameter.

MATERIAL LIST			
No.	PART	MATERIAL	SPECIFICATION
1	Bolt	Steel	
2	ID Plate	Aluminum	
3	Bonnet	Cast Iron	ASTM A126, Class B
4	Body Gasket	Graphite	
5	Nut	Steel	
6	Hanger Pin	Brass	ASTM B16
7	Hanger	Ductile Iron	ASTM A536
8	Disc	Cast Iron	ASTM A126, CLASS B
9	Washer	Steel	
10	Cotter Pin	Carbon Steel Galvanized	
11	Seat Ring	Bronze	ASTM B62
12	Disc Nut	Steel	ASTM A307
13	Body	Cast Iron	ASTM A126, CLASS B
14	Disc Bolt	Brass	ASTM B16
15	Disc Ring	Bronze	ASTM B62
16	Lever Weight	Cast Iron	ASTM B128
17	Weight	Cast Iron	ASTM B128
18	Weight Bolt	Carbon Steel	Commercial
19	Weight Nut	Carbon Steel	Commercial
20	Weight Washer	Carbon Steel	Commercial
21	Lever Washer	Carbon Steel	Commercial
22	Lever Nut	Carbon Steel	Commercial
23	Stuffing Box	Brass	ASTM B16
24	Gland	Brass	ASTM B16
25	Packing	Graphite	COMMERCIAL
26	Packing Nut	Brass	ASTM B16

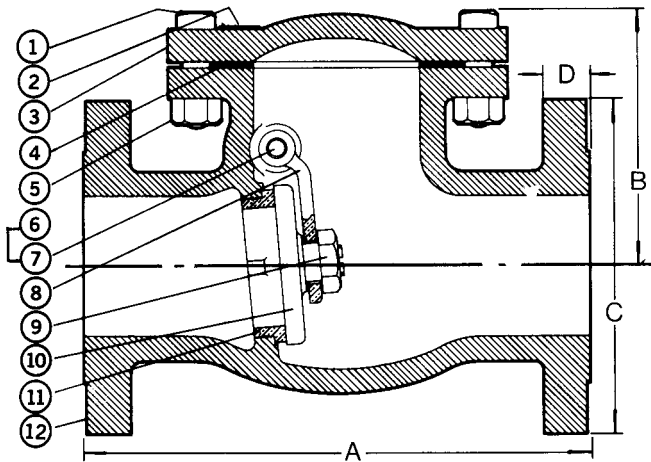
DIMENSIONS - INCHES/MILLIMETERS							
Units	Size	A	B	C	D	E	C _v
Inches mm	2	8.00 203	3.94 100	6.00 152	0.63 16	8.00 203	137
Inches mm	2 1/2	8.50 216	4.50 114	7.00 178	0.69 18	8.50 216	221
Inches mm	3	9.50 241	5.13 130	7.50 191	0.75 19	9.50 241	327
Inches mm	4	11.50 292	6.13 156	9.00 229	0.94 24	11.50 292	605
Inches mm	5	13.00 330	6.81 173	10.00 254	0.94 24	13.00 330	975
Inches mm	6	14.00 356	8.00 203	11.00 279	1.00 25	14.00 356	1440
Inches mm	8	19.50 495	9.44 240	13.50 343	1.13 29	19.50 495	2670
Inches mm	10	24.50 622	12.06 306	16.00 406	1.19 30	24.50 622	4300
Inches mm	12	27.50 699	16.13 410	19.00 483	1.25 32	27.50 699	6350

The information presented on this sheet is correct at the time of publication. Hammond Valve reserves the right to change design, and/or material specifications without notice. For the Installation, Operation and Maintenance Manual (IOM) see the Technical/Service Information section on our website. For the most current information access www.hammondvalve.com Hammond Valve is a registered trade mark of Milwaukee Valve Company.

IR322 2 1/2"-6"

Iron Check Valve
250 SWP - 500 WOG †
Horizontal Swing • Flanged Ends
Bolted Cover
Conforms to: MSS SP-71

Flange shape and drilling to specification ASME B 16.1 (125 lb).



MATERIAL LIST			
No.	PART	MATERIAL	SPECIFICATION
1	Bolt	Steel	
2	Name Plate	Aluminum	
3	Cover	Cast Iron	ASTM A126, Class B
4	Cover Gasket	Graphite	
5	Nut	Steel	
6	Side Plug	Brass	ASTM B16
7	Hanger Pin	Brass	ASTM B16
8	Hanger	Cast Bronze	ASTM B62
9	Disc Nut	Cast Bronze	ASTM B62
10 ¹	Disc	Cast Bronze	ASTM B62
11	Seat Ring	Cast Bronze	ASTM B62
12	Body	Cast Iron	ASTM A126, Class B

¹ 6" discs are cast iron with bronze face rings.

Note 1: On pump discharge, the preferred check valve is an in-line spring loaded swing design with lever and weight. Install these valves as far as possible from the pump and elbows with a minimum distance of 5 times the pipe diameter. See 1400 and 1800 series.

Note 2: These iron body check valves may be installed in both horizontal and vertical lines with upward flow or in any intermediate position.

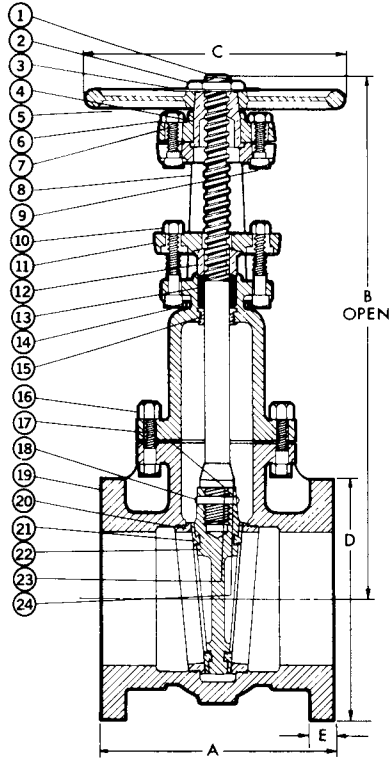
DIMENSIONS - INCHES/MILLIMETERS						
Units	Size	A	B	C	D	C _v
Inches	2 1/2	11.50	5.75	7.50	1.00	221
mm	63.50	292.10	146.05	190.50	25.40	
Inches	3	12.50	6.31	8.25	1.13	327
mm	76.20	317.50	160.35	209.55	28.58	
Inches	4	14.00	7.56	10.00	1.25	605
mm	101.60	355.60	192.10	254.00	31.75	
Inches	6	17.50	8.50	12.50	1.44	975
mm	152.40	444.50	215.90	317.50	36.53	

† Non-Shock

The information presented on this sheet is correct at the time of publication. Hammond Valve reserves the right to change design, and/or material specifications without notice. For the Installation, Operation and Maintenance Manual (IOM) see the Technical/Service Information section on our website. For the most current information access www.hammondvalve.com Hammond Valve is a registered trade mark of Milwaukee Valve Company.

IR1913-HI 2"-12"

Iron Gate Valve
125 SWP - 200 WOG †
3% Nickel Iron Body
OS & Y • Solid Wedge Disc
Bolted Bonnet • Flanged Ends
S.S. Trim
Conforms to: MSS SP-70



MATERIAL LIST			
No.	PART	MATERIAL	SPECIFICATION
1	Stem		ASTM A182 F316
2	Handwheel Nut	Steel or Ductile Iron	ASTM A395
3	Name Plate	Aluminum	
4	Yoke Bushing	Ductile Iron	ASTM A395
5	Handwheel	Cast Iron	ASTM A126, Class B
6	Bonnet Cap Nut	Steel	
7	Bonnet Cap	Ductile Iron	ASTM A395
8 ¹	Bonnet	3% Nickel Iron	
9	Bonnet Cap Bolt	Steel	
10	Gland Follower Nut	Steel	
11	Gland Follower	Ductile Iron	ASTM A395
12	Packing Gland		ASTM B276-316
13	Packing	Graphite	
14	Gland Follower Bolt	Steel	
15	Backseat Bushing		ASTM B 276-316
16	Body Nut	Steel	
17	Body Bolt	Steel	
18	Wedge Pin		ASTM B276-316
19	Body	3% Nickel Iron	
20	Seat Ring		ASTM A351 CF8M
21	Wedge Face Ring		ASTM A351 CF8M
22	Wedge	3% Nickel Iron	
23	Body Gasket	Graphite Non-Asb. Fibers	
24	Stem Collar		ASTM B276-316
25	Grease Fitting (not shown)	Steel	

¹ Sizes through 8" made with yoke integral with bonnet. 10" and 12" sizes made with separate yoke bolted to bonnet.
 Suffix HI - Signifies "Hammond" International Series Valves.

Note 1: The wetted surface of this product contacted by consumable water contains less than one quarter of one percent (.25%) of lead by weight. Meets the requirements of Senate law S.3874.

DIMENSIONS - INCHES/MILLIMETERS							
Units	Size	A	B	C	D	E	C _v
Inches mm	2	7.00 178	15.00 381	7.00 178	6.00 152	0.63 16	215
Inches mm	2 1/2	7.50 191	16.88 429	7.00 178	7.00 178	0.69 17	335
Inches mm	3	8.00 203	18.75 476	8.00 203	7.50 191	0.75 19	510
Inches mm	4	9.00 229	22.75 578	10.00 254	9.00 229	0.94 24	945
Inches mm	5	10.00 254	27.13 689	12.00 305	10.00 254	0.94 24	1525
Inches mm	6	10.50 267	30.13 765	12.00 305	11.00 279	1.00 25	2250
Inches mm	8	11.50 292	40.13 1019	14.00 356	13.50 343	1.13 29	4150
Inches mm	10	13.00 330	48.25 1226	16.00 406	16.00 406	1.81 46	6700
Inches mm	12	14.00 356	56.88 1445	18.00 457	19.00 483	1.25 32	9925

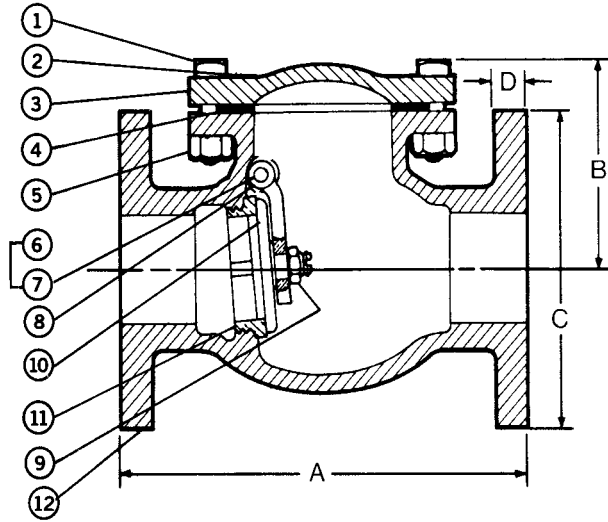
Also available in 14", 16", 18", 20" and 24" on special order.
 150 psi non-shock cold water, oil or gas.

The information presented on this sheet is correct at the time of publication. Hammond Valve reserves the right to change design, and/or material specifications without notice. For the Installation, Operation and Maintenance Manual (IOM) see the Technical/Service Information section on our website. For the most current information access www.hammondvalve.com
 Hammond Valve is a registered trade mark of Milwaukee Valve Company.

IR1937-HI 2"-12"

Iron Check Valve
125 SWP - 200 WOG †
3% Nickel Iron Body
Bolted Bonnet • Flanged Ends
S.S. Trim
Conforms to: MSS SP-71

This check valve may be installed in both horizontal and vertical lines with upward flow or in any intermediate position.



MATERIAL LIST			
No.	PART	MATERIAL	SPECIFICATION
1	Bolt	Steel	ASTM A307 Gr. B
2	Name Plate	Aluminum	
3	Cover	3% Nickel Iron	ASTM A126, Class B
4	Cover Gasket	Graphite	
5	Nut	Steel	
6	Side Plug		ASTM A276-316
7	Hanger Pin		ASTM A276-316
8	Hanger		ASTM A351-CF8M
9	Disc Nut		ASTM A194-8M
10	Disc		ASTM A351-CF8M
11	Seat Ring		ASTM A351-CF8M
12	Body	3% Nickel Iron	ASTM A126, Class B

Note 1: The check valve may be installed in both horizontal and vertical lines with upward flow or in any intermediate position.

Note 2: On pump discharge, the preferred check valve is an in-line spring loaded, swing design with lever and weight. Install these valves as far as possible from the pump and elbows and at a minimum length of 5 times the pipe diameter. See 1400 and 1800 series.

Note 3: The wetted surface of this product contacted by consumable water contains less than one quarter of one percent (.25%) of lead by weight. Meets the requirements of Senate law S.3874.

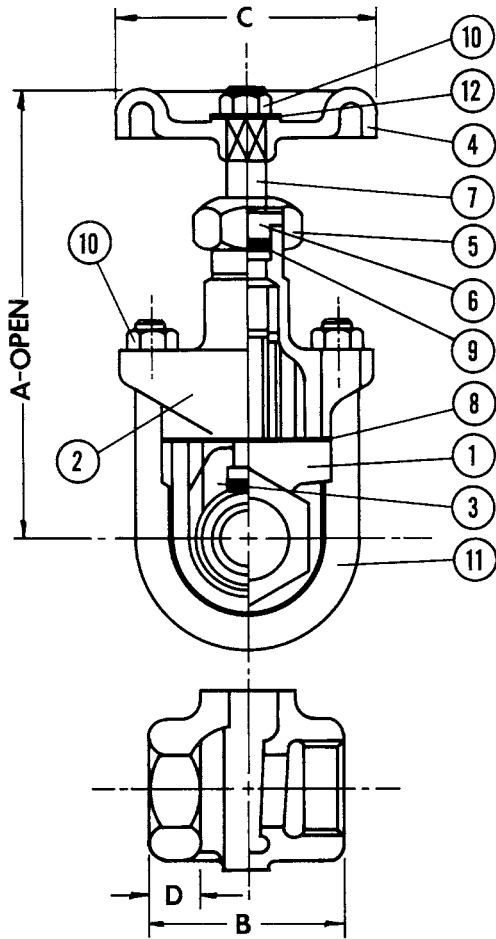
DIMENSIONS - INCHES/MILLIMETERS						
Units	Size	A	B	C	D	C _v
Inches mm	2	8.00 203	3.94 100	6.00 152	0.63 16	137
Inches mm	2 1/2	8.50 216	4.50 114	7.00 178	0.69 17	221
Inches mm	3	9.50 241	5.13 130	7.50 191	0.75 19	327
Inches mm	4	11.50 292	6.13 156	9.00 229	0.94 24	605
Inches mm	5	13.00 330	6.81 173	10.00 254	0.94 24	975
Inches mm	6	14.00 356	8.00 203	11.00 279	1.00 25	1440
Inches mm	8	19.50 495	9.44 240	13.50 343	1.13 29	2670
Inches mm	10	24.50 622	12.06 306	16.00 406	1.19 30	4300
Inches mm	12	27.50 699	16.13 410	19.00 483	1.25 32	6350

Suffix HI – Signifies International Valves.

The information presented on this sheet is correct at the time of publication. Hammond Valve reserves the right to change design, and/or material specifications without notice. For the Installation, Operation and Maintenance Manual (IOM) see the Technical/Service Information section on our website. For the most current information access www.hammondvalve.com Hammond Valve is a registered trade mark of Milwaukee Valve Company.

IR337-HI 1/4"-4"

Iron Clip Gate Valve
1/4" - 2" 150 SWP - 225 WOG †
2 1/2" - 4" 125 SWP -175 WOG †
Inside Rising Stem • Solid Wedge Disc
Threaded Ends



MATERIAL LIST			
No.	PART	MATERIAL	SPECIFICATION
1	Body	Ductile Iron-A 536	Ductile Iron-A 536
2	Bonnet	Ductile Iron-A 536	Ductile Iron-A 536
3	Disc	Cast Bronze-B 62	Ductile Iron-A 536
4	Handwheel	Cast Iron-A 126-B	Cast Iron-A 126-B
5	Packing Nut	Ductile Iron-A 536	Ductile Iron-A 536
6	Gland	Brass-B 16	410 SS
7	Stem	Brass-B 16	410 SS
8	Gasket	Commercial	Commercial
9	Packing	Commercial	Commercial
10	Nut	Steel-A 307-A	Steel-A 307-A
11	U-Bolt	Steel-A 307-A	Steel-A 307-A
12	Name Plate	Aluminum	Aluminum

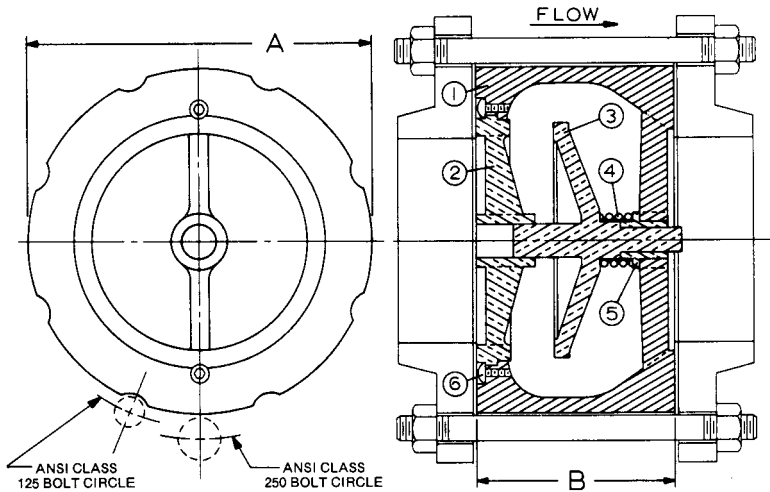
DIMENSIONS - INCHES/MILLIMETERS						
Units	Size	A	B	C	D	C _v
Inches	1/4 - 1/2	5.00	2.09	2.13	0.47	5
mm		127	53	54	12	
Inches	3/4	6.22	2.52	2.44	0.51	32
mm		158	64	62	13	
Inches	1	7.50	2.64	2.95	0.63	54
mm		191	61	75	16	
Inches	1 1/4	9.00	2.91	2.95	0.70	97
mm		229	74	75	18	
Inches	1 1/2	9.14	3.15	3.75	0.75	135
mm		232	80	95	19	
Inches	2	11.58	3.90	3.98	0.75	230
mm		294	99	101	19	
Inches	2 1/2	12.88	4.60	4.75	0.90	337
mm		327	117	121	23	
Inches	3	14.70	4.92	6.00	0.90	536
mm		375	125	152	23	
Inches	4	19.30	5.94	9.00	0.98	960
mm		490	151	229	25	

Suffix HI – Signifies International Valves.
 † Non-Shock

The information presented on this sheet is correct at the time of publication. Hammond Valve reserves the right to change design, and/or material specifications without notice. For the Installation, Operation and Maintenance Manual (IOM) see the Technical/Service Information section on our website. For the most current information access www.hammondvalve.com Hammond Valve is a registered trade mark of Milwaukee Valve Company.

IR9253 2"-10"

Iron Silent Check Valve
125 Class • Wafer Style
Stainless Steel Trim
Conforms to: MSS SP-125



Note 1: The wetted surface of this product contacted by consumable water contains less than one quarter of one percent (.25%) of lead by weight.

Note 2: Valve is designed for liquid service only. Install 5 to 10 pipe diameters downstream from pump discharge or elbows to avoid flow turbulence. Valve is designed to be mated to standard steel flanges.

MATERIAL LIST		
No.	PART	MATERIAL
1	Body	Cast Iron, ASTM A126
2	Seat	St. Steel, TYPE 304
3	Disc	St. Steel, TYPE 304
4	Spring	St. Steel, TYPE 304
5	Bushing	St. Steel, TYPE 304
6	Screw	St. Steel, TYPE 304

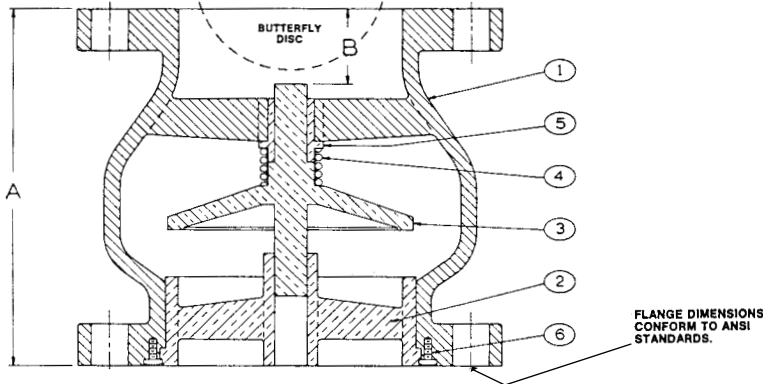
DIMENSIONS - INCHES/MILLIMETERS				
Units	Size	A	B	C _v
Inches mm	2	4.25 108	2.63 67	66
Inches mm	2 1/2	5.00 127	2.88 73	88
Inches mm	3	5.75 146	3.13 79	130
Inches mm	4	7.00 178	4.00 102	228
Inches mm	5	8.38 213	4.75 121	350
Inches mm	6	9.75 248	5.50 140	520
Inches mm	8	13.38 340	6.50 165	900
Inches mm	10	16.00 406	8.25 210	1450

Sizes 2" thru 6" are combination ANSI Class 125 and 250. 8" and 10" sizes are ANSI Class 125.

The information presented on this sheet is correct at the time of publication. Hammond Valve reserves the right to change design, and/or material specifications without notice. For the Installation, Operation and Maintenance Manual (IOM) see the Technical/Service Information section on our website. For the most current information access www.hammondvalve.com Hammond Valve is a registered trade mark of Milwaukee Valve Company.

IR9354 2 1/2" - 42"

**Iron Silent Check Valve
125 Class • Globe Style
Stainless Steel Trim
Conforms to: MSS SP-125**



MATERIAL LIST		
No.	PART	MATERIAL
1	Body	Cast Iron, ASTM A126
2	Seat	St. Steel, TYPE 304
3	Disc	St. Steel, TYPE 304
4	Spring	St. Steel, TYPE 304
5	Bushing	St. Steel, TYPE 304
6	Screw	St. Steel, TYPE 304

Note 1: Valve sizes 3" through 10" will mate up to wafer style butterfly valve without the use of spool pieces or other adaptors. (See "B" dimension for allowable clearance).

Note 2: Ductile iron trim with EPDM o-ring seal available upon request. Consult factory for pricing and availability.

Note 3: The wetted surface of this product contacted by consumable water contains less than one quarter of one percent (.25%) of lead by weight.

Install 5 to 10 pipe diameters downstream from pump discharge or elbows to avoid flow turbulence. Valve is designed to be mated to standard steel flanges.

ANSI CLASS 125					ANSI CLASS 250			
Units	Size	A	B	C _v	Units	Size	A	B
Inches	2 1/2	5.50	1.00	110	Inches	2 1/2	5.50	1.00
mm		140	25		mm		140	25
Inches	3	6.00	1.38	155	Inches	3	6.00	1.38
mm		152	35		mm		152	35
Inches	4	7.25	1.75	278	Inches	4	7.25	1.75
mm		184	44		mm		184	44
Inches	5	8.50	2.00	435	Inches	5	8.50	2.00
mm		216	51		mm		216	51
Inches	6	9.75	2.50	625	Inches	6	9.75	2.50
mm		248	64		mm		248	64
Inches	8	12.50	3.25	1115	Inches	8	12.50	3.25
mm		318	83		mm		318	83
Inches	10	15.50	4.25	1770	Inches	10	15.50	4.25
mm		394	108		mm		394	108
Inches	12	14.25	N/A	2500	Inches	12	14.25	N/A
mm		362	N/A		mm		362	N/A
Inches	14	15.75	N/A	3400	Inches	14	15.75	N/A
mm		400	N/A		mm		401	N/A
Inches	16	17.63	N/A	4400	Inches	16	17.63	N/A
mm		448	N/A		mm		448	N/A
Inches	18	18.75	N/A	5600	Inches	18	18.75	N/A
mm		476	N/A		mm		476	N/A
Inches	20	20.63	N/A	6900	Inches	20	20.63	N/A
mm		524	N/A		mm		524	N/A
Inches	24	24.00	N/A	10000	Inches	24	24.00	N/A
mm		610	N/A		mm		610	N/A
Inches	30	29.25	N/A	15400	Inches	30	29.25	N/A
mm		743	N/A		mm		743	N/A
Inches	36	45.00	N/A	22400	Inches	36	45.00	N/A
mm		1143	N/A		mm		1143	N/A
Inches	42	50.00	N/A	30400	Inches	42	50.00	N/A
mm		1270	N/A		mm		1270.00	N/A

Max Non-Shock Working PSI 125# ANSI B16.1 Flange Rating		
	Temperature	
Size	150° F	200° F
2 1/2" - 10"	200 PSI	190 PSI

Max Non-Shock Working PSI 125# ANSI B16 Flange Rating		
	Temperature	
Size	150° F	200° F
12"	200 PSI	190 PSI
14" - 42"	150 PSI	135 PSI

Max Non-Shock Working PSI 250# ANSI B16.1 Flange Rating		
	Temperature	
Size	150° F	200° F
2 1/2" - 10"	400 PSI	370 PSI

Max Non-Shock Working PSI 250# ANSI B16 Flange Rating		
	Temperature	
Size	150° F	200° F
12"	400 PSI	370 PSI
14" - 42"	300 PSI	280 PSI

The information presented on this sheet is correct at the time of publication. Hammond Valve reserves the right to change design, and/or material specifications without notice. For the Installation, Operation and Maintenance Manual (IOM) see the Technical/Service Information section on our website. For the most current information access www.hammondvalve.com Hammond Valve is a registered trade mark of Milwaukee Valve Company.